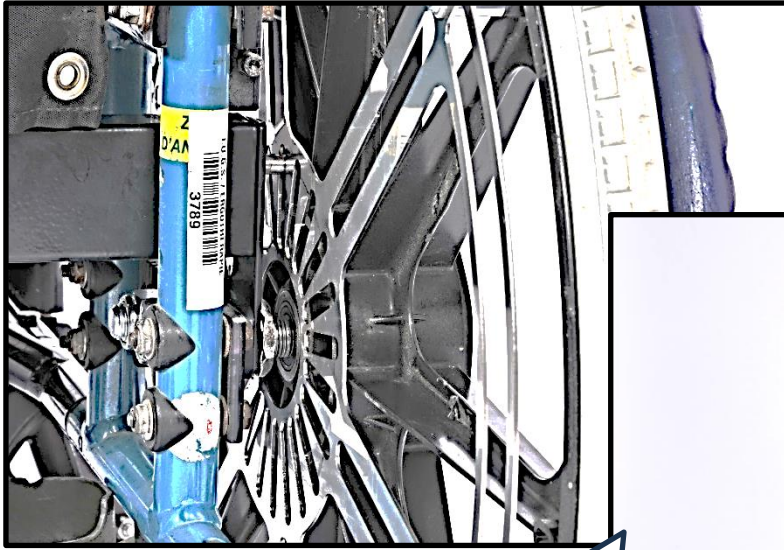


# WABSY-1000

(PRATIKO'S Wheelchair Automatic Braking SYstem)

| MANUFACTURER           | PRODUCT NAME                        | MODEL NUMBER | HCPCS CODE   |
|------------------------|-------------------------------------|--------------|--------------|
| PRATIKO<br>MEDICAL INC | PRATIKO Automatic<br>Braking System | WABSY-1000   | <b>E2228</b> |



**NEW BRACKET FOR  
TAB HANDRIMS  
PAGE 15 (MOTION  
AND PRIDE)**

## USER MANUAL

Revision 2890 (JANUARY 2024)

Designed and manufactured in CANADA by:

**PRATIKO**

20 Saffin Road  
Danville, Qc. CANADA, J0A 1A0  
1-819-839-3303

[www.pratikopratik.com](http://www.pratikopratik.com)

Distributed in USA by:

 **PratikoMedical**

1713 Industrial Parkway  
Lyndonville, Vermont, USA, 05851  
1-802-748-0099

[www.pratikomedical.com](http://www.pratikomedical.com)

# Pratiko's Wheelchair Automatic Braking SYstem (WABSY)

## A WORD FROM OUR PRESIDENT

The Pratiko's team would like to thank you for purchasing this product.

By giving us your trust today, you are contributing to the development of new products and new tools that will help you to increase the safety of your clients in the future.

By purchasing this product you are increasing the safety and saving your client from injuries. Maybe you just save the life of someone! But for sure you are giving back the pride and freedom to your patient! By definition, this classifies you as a **SUPER HERO**.

Watch regularly our website [www.pratikomedical.com](http://www.pratikomedical.com) and see the new products you just contributed to develop today!

Keep in touch with us and help us developing your future tool box! Help us to Help you!

We may be your next Patient, that is why we work hard to provide you with the best tools that you may need for us!

*Jean-Marc Landry, Engineer and President*

## DESCRIPTION OF THE COMPANIES

Pratiko and PratikoMedical are privately owned innovative corporations that share a common mission: **"To be your solutions provider"**.

While Pratiko developed solution for industrial and diverse market, PratikoMedical is orienting its development toward solutions that deals with the Medical, Mobility and Autonomy of people with disabilities.

At PratikoMedical, we like to work in close collaboration with Occupational Therapist, Physio Therapist, Physician and Caregiver. We listen, understand and collaborate in the design and development of tools to ease your work and the safety of your patient.

The WABSY is the first of several products we introduced on the market with the objective to

**“REDUCE THE INJURIES AND FALLS RELATED WITH  
WHEELCHAIRS RUNAWAYS”**

With over 2500 units in service, the WABSY proved to be reliable and efficient.

## DESCRIPTION OF THE PRODUCT:

The PRATIKO's automatic braking system (WABSY) has been designed to **fit almost all soft seat wheelchairs (type 2 and 3)** that are present on the market, making it the **most universal automatic braking system**.

The WABSY **automatically locks the wheels** rotation when the user attempt to stand up preventing any unwanted movement of the wheelchair (either forward or backward).

A **single Heavy-Duty release handle** is mounted on one of the cane of the chair for the caregiver to move the chair without any one being seated in the chair.

A **bypass lever** allows the braking system to be temporarily by-pass. The Auto brake **automatically reset** itself as soon as a user sit down on the chair or a caregiver touch the release handle at the back.

Its design **nicely integrated** with a given wheelchair.

Components remains within the chair structure thus being protected against abuse.

The system **attached** to most wheelchair **using existing attachment point, no modification** that could alter the warranty.

The system **will not cause premature wear of the tires** (we are not touching the tires).

The system is **independent of the tires** (wear or type) and is **independent of the ground** condition (dirty, waxed floor, wet floor).

Once adjusted, the components interlocked together to prevent any dis-adjustment.

The system **does not affect the behavior** or functioning **of** a given **wheelchair**.

**The chair remains mostly foldable and the removable wheels are not affected**

**No teaching to the User**, the system applies the brake at the right time all the time.

Just **teach the caregiver to operate the release handle** when the chair needs to be moved.

Parts have been designed with the idea of being **robust, efficient with as little care as possible**.

There is no limitation to where the system can be used, at home, in a long term facility, **outdoor or indoor**.

## PRODUCT USE AND SPECIFICATION SHEET

|  |  |
|--|--|
| <b>Model Number</b>  | WABSY-1000   |
| <b>Brand Name</b>  | <b>WABSY</b> , Pratiko's wheelchair automatic braking system   |
| <b>Manufacturer</b><br>(For CANADA and international sales)    | <b>Pratiko inc.</b><br>20 Saffin Road<br>Danville, Qc, CANADA<br>J0A 1A0   |
| <b>US Distributor</b><br>(For the USA and international sales) | <b>PratikoMedical inc.</b><br>1713 Industrial Parkway<br>Lyndonville, Vermont, USA<br>05851  |
| <b>Recommended Use</b>   | <ul style="list-style-type: none"> <li>• The WABSY Automatic Brake is intended as a supplemental attachment and <b>not a replacement for factory installed hand brakes.</b></li> <li>• <b>It is recommended as an additional safety feature to prevent wheelchair's runaway and thus contribute in the reduction of the number of falls and injuries related to wheelchair usage.</b></li> <li>• It is recommended as an <b>alternative to contention.</b></li> <li>• It is recommended to users suffering from <b>memory impairment.</b></li> <li>• It is recommended for users suffering from <b>dementia.</b></li> <li>• It is recommended for users where <b>falls may cause disastrous injuries</b> for example people suffering from :             <ul style="list-style-type: none"> <li>• Osteoporosis;</li> <li>• Haemophilia;</li> <li>• Venous insufficiencies</li> </ul> </li> <li>• It is recommended for users having <b>difficulties to engage manual brakes:</b> <ul style="list-style-type: none"> <li>• Hemiplegic;</li> <li>• Obesity;</li> <li>• Muscular weakness;</li> <li>• Arthritis</li> </ul> </li> <li>• It is recommended for users that have <b>new drugs prescription</b> that may affect their balance or behaviors.</li> <li>• It is recommended on any wheelchair <b>when safety in a priority</b> for the user.</li> </ul> |

## PRODUCT USE AND SPECIFICATION SHEET

|                            |  |
|----------------------------|--|
| <b>Operation</b>           | <p><b>Automatic braking</b></p> <p>The WABSY consist of a detection system located just underneath the hammock (soft seat) of the wheelchair. This spring loaded device is linked with two blockers located in proximity of the two wheels and interact with two locking disks mounted within the interior of each wheels. When a user sits on the wheelchair seat, the detection system is pushed down which pull-in the two blockers thus freeing the wheels rotation. When depressed by a user being fully seated the detection system allows the wheelchair to move in any direction. When the user stand up, the spring loaded detection system will be pushed up and the spring loaded blockers will be pushed out and will enter the first available aperture of the blocking disks, locking the rotation of wheels.</p> <p>Wheels are locked in any given direction.</p> <p>The device can be deactivated by pressing a single release handle that is linked with the detection system and that can be installed on the right or left cane.</p> <p>The device allows the chair to be folded for transport or storage</p> <p>The device allows the wheels to be removed with the quick release technology (wheels).</p> <p>The device do not interfere with the normal operation of a wheelchair.</p> <p>The device is compatible with most of the marketed wheelchairs.</p> <p>The device is compatible with solid drop seats.</p> <p>The device is compatible with any type of wheels having tire dimensions of 18, 20, 22 or 24 inches</p> |
| <b>Limits of operation</b> | <ul style="list-style-type: none"><li>- The WABSY requires about 15 lbs of pressure applied directly on the detection system to disengage the brakes</li><li>- The unlocking pressure may be less depending on the tension in the hammock fabric and depending on the weight of the cushion used with the wheelchair.</li><li>- The WASBY can adapt on wheelchairs having a seat width of up to 21 inches</li><li>- The WASBY can be use with patient weighting up to 250 lbs.</li></ul>   |

## PRODUCT USE AND SPECIFICATION SHEET

|                               |   |
|-------------------------------|---|
| <p><b>Specifications</b></p>  | <p><b>Material used:</b><br/>Electro-galvanized steel, stainless steel, steel reinforced industrial urethane plastic (soft or rigid), Teflon lined sheaths, multi strand stainless cables. Does not contain Latex.</p> <p><b>Application:</b><br/>The WABSY will fit most foldable wheelchairs:</p> <ul style="list-style-type: none"> <li>- Adjustable axle</li> <li>- Fixed axle</li> <li>- Any axles height</li> <li>- Any configuration of axles</li> <li>- Up to 21 inches wide seats</li> <li>- Any size of wheels (18, 20 , 22, 24 inch)</li> <li>- Solid drop seats</li> </ul> <p>A given model can be re-installed on any wheelchair giving the use of the proper installation brackets<br/>Permanent or removable arms</p> <p>This model is not compatible with the non-foldable wheelchair also known as “rigid base” or “tilt chairs”</p> |
| <p><b>Care</b></p>            | <p>All WABSY components are <b>safe</b> to remains on chair during <b>wheelchair washing</b></p>  |
| <p><b>Maintenance</b></p>     | <p>Even if this device was design to minimize maintenance, it is recommended to <b>periodically inspect the conditions</b> of the system.</p> <p>A quick maintenance checkup should be realized <b>3 weeks</b> after initial installation and periodically at least twice a year.</p> <p>Maintenance technician should look especially for damage cables or loose sheaths, bent brackets or bent disks.</p> <p>The system is designed so that in case of failure, the wheels should automatically lock.</p> <p>The efficiency of the system is directly related to the proper installation and to the proper maintenance of the system.</p>   |
| <p><b>Weight addition</b></p> | <p>The weight addition depends on the type of wheelchair on which the system is installed and on the wheel size. Typically, it should be considered that the system will add between <b>7 to 9,5 lbs (3.20 to 4.35 kg)</b></p>  |

## PRODUCT USE AND SPECIFICATION SHEET

|                        |   |
|------------------------|---|
| <b>Warranty</b>        | <p><b>Cables are guaranteed for 6 months</b> from the purchase date. All other parts are <b>guaranteed against manufacturing defects for (1) year</b> from the purchase date.</p> <p>The guarantee does not cover for bad installation of the system. Please follow carefully the installation guide.</p>   |
| <b>Weight capacity</b> | <p>The WASBY-1000 can be used with clients up to 250 lbs. For heavier client please contact us.</p> <p>The WABSY-1000 can be used with wheelchairs having a seat up to 21 inches wide.</p> <p>When properly installed, and because the system does not support the weight but is just taking the hammock or seat displacement, the addition of the system <b>do not modify the work load of a wheelchair</b>. The weight of the user is being taken by the wheelchair structure.</p>  |
| <b>Installation</b>    | <p>Following the installation guide, <b>a typical first installation can take up to 90 minutes</b>. Typically, <b>a well-trained technician will required less than 40 minutes</b> to install. The installation time depends on the type of wheelchair on which the WABSY is being installed and on the skills of the technician.</p>   |
| <b>WARNING !!!</b>     | <p>The cushion must be free to move vertically. Take care that the comfort cushion is not blocked in its movement by a wedge under the backrest (possible in case of rigid backrest installed on wheelchairs).</p> <p>In the case of wheelchairs whose braces are located at the rear back (composite motion and double braces), the use of a rigid plate (stiffener) under the cushion is recommended to enlarge the detection area.</p> <p>Finally, when making vertical adjustments to the detector, be sure to validate the adjustments with the cushion in position and review the adjustment based on the patient's natural wandering position (all patients have their own behavior) and the detection system can thus be affected</p> |

# WABSY (Wheelchair Automatic Braking System)

## INSTALLATION INSTRUCTIONS

Installation videos are available on our website [www.pratikomedical.com](http://www.pratikomedical.com)

We are constantly improving our braking system and installation kits, for this reason the parts illustrated in the following instruction may differ in shape from the one in your kit. The most up to date instructions are always available on our web site.

**Made in North America from one of our location:**

**CANADA AND EUROPE:**

20 SAFFIN ROAD  
DANVILLE, QUÉBEC, CANADA  
JOA 1A0  
819-839-3303  
TOLL FREE: 1-855-905-3300

**USA:**

1713 INDUSTRIAL PARKWAY  
LYNDONVILLE, VERMONT, USA  
05851  
802-748-0099

Should you required technical assistance for installation or adjustment do not hesitate to call one of our location

THIS INSTALLATION:

MAKE: \_\_\_\_\_

MODEL: \_\_\_\_\_

WHEELS DIAM : \_\_\_\_\_

PURCHASED FROM:

DATE PURCHASED:

\_\_\_\_\_/\_\_\_\_\_/\_\_\_\_\_

SERIAL NUMBER (On the detection system)

\_\_\_\_\_

## Installation step by step:

### Step 1 : Installation of the blocking discs

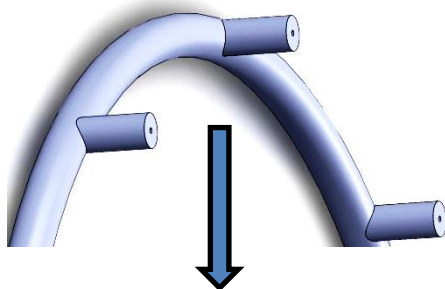
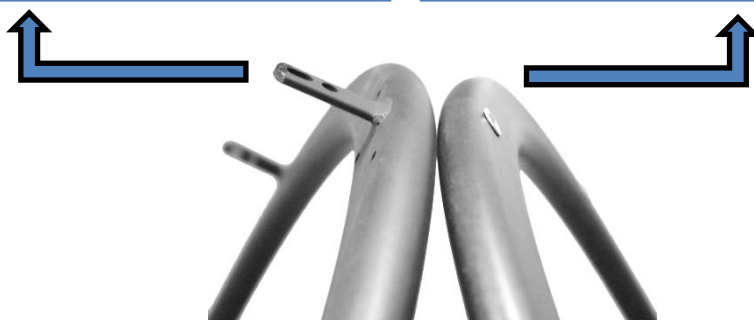
#### Parts #

- PRA-U-CH018 (For 18 inches rear wheels)
- PRA-U-CH020 (For 20 inches rear wheels)
- PRA-U-CH022 (For 22 inches rear wheels)
- PRA-U-CH024 (For 24 inches rear wheels)
- PRA-U-CH026 (For 26 inches rear wheels)

Installation procedure is related to the type of handrims that equipped the wheelchair

TAB TIES FOLLOW INSTRUCTION PAGE 15

HOLLOW PIERCING FOLLOW INSTRUCTION PAGE 13



PLASTIC HANDRIMS WITH INTEGRATED PLASTIC SPACERS PAGE 18

## Step 2 : Installation of the attachment brackets (choose your type of wheelchair in the compatibility list)

| MAKE                      | MODEL                          | KIT (PART NUMBER)   | PAGE |
|---------------------------|--------------------------------|---------------------|------|
| KI mobility               | Catalyst 4C                    | PRA-U-CHKIT*CAT4C   | 23   |
| KI mobility               | Catalyst 5Ti                   | PRA-U-CHKIT*PRIMA   | 19   |
| KI mobility               | Catalyst 5Vx                   | PRA-U-CHKIT*PRIMA   | 19   |
| KI mobility               | Catalyst 5C                    | PRA-U-CHKIT*PRIMA   | 19   |
| Copies of Everest & Jenn. | Fixed axles (1 to 3 posi.)     | PRA-U-CHKIT*FXAXL   | 29   |
| DRIVE                     | All fixed axles (1 to 3 posi.) | PRA-U-CHKIT*FXAXL   | 29   |
| Everest & Jennings        | Fixed axles (1 to 3 posi)      | PRA-U-CHKIT*FXAXL   | 29   |
| Everest & Jennings        | Metro                          | PRA-U-CHKIT*PRIMA   | 19   |
| Everest & Jennings        | P2+                            | PRA-U-CHKIT*FXAXL   | 29   |
| Everest & Jennings        | Traveller SE                   | PRA-U-CHKIT*FXAXL   | 29   |
| Gorden                    | All fixed axles (1 to 3 posi)  | PRA-U-CHKIT*FXAXL   | 29   |
| Guardian                  | Easy Care 2000                 | PRA-U-CHKIT*FXAXL   | 29   |
| Guardian                  | Easy Care 4000                 | PRA-U-CHKIT*FXAXL   | 27   |
| INVACARE                  | 9000XT, SL, L                  | PRA-U-CHKIT*FXAXL   | 29   |
| INVACARE                  | ACTION                         | PRA-U-CHKIT*PRIMA   | 19   |
| INVACARE                  | MYON                           | PRA-U-CHKIT*PRIMA   | 19   |
| INVACARE                  | MVP                            | PRA-U-CHKIT*PRIMA   | 19   |
| INVACARE                  | PATRIOT                        | PRA-U-CHKIT*PATRIOT | 35   |
| INVACARE                  | X4                             | PRA-U-CHKIT*PRIMA   | 19   |
| INVACARE                  | TRACER SX5                     | PRA-U-CHKIT*FXAXL   | 29   |
|                           |                                |                     |      |
|                           |                                |                     |      |
|                           |                                |                     |      |
|                           |                                |                     |      |
|                           |                                |                     |      |
|                           |                                |                     |      |
|                           |                                |                     |      |
|                           |                                |                     |      |
|                           |                                |                     |      |
|                           |                                |                     |      |

**Step 2 : Installation of the attachment brackets (choose your type of wheelchair in the list)**

| MAKE              | MODEL           | KIT (PART NUMBER)  | PAGE           |
|-------------------|-----------------|--------------------|----------------|
| MAPLE LEAF        | ACCESS          | PRA-U-CHKIT*FXAXL  | 29             |
| MAPLE LEAF        | EZRIDE          | PRA-U-CHKIT*PRIMA  | 19             |
| MAPLE LEAF        | NRG+            | PRA-U-CHKIT*FXAXL  | 29             |
| MAPLE LEAF        | NRG+ RECLINER   | PRA-U-CHKIT*PRIMA  | 19             |
| MAPLE LEAF        | NRG+ GOLD       | PRA-U-CHKIT*PRIMA  | 19             |
| MAPLE LEAF        | SWIFT           | PRA-U-CHKIT*PRIMA  | 19             |
| MEYRA             | EUROCHAIR       | PRA-U-CHKIT*EURO   | ---            |
| MOTION COMPOSITES | CHRONOS 1 AND 2 | PRA-U-CHKIT*MOTION | 31             |
| MOTION COMPOSITES | COBALT 1 AND 2  | PRA-U-CHKIT*MOTION | 31             |
| MOTION COMPOSITES | HELIO           | PRA-U-CHKIT*MOTION | 31             |
| MOTION COMPOSITES | MOVE            | PRA-U-CHKIT*MOTION | 31             |
| MOTION COMPOSITES | PLATINE 1 AND 2 | PRA-U-CHKIT*MOTION | 31             |
| ORTHO FAB         | CH              | PRA-U-CHKIT*CH     | 25             |
| ORTHO FAB         | PRIMA           | PRA-U-CHKIT*PRIMA  | 19             |
| ORTHO FAB         | PRIMA 4         | PRA-U-CHKIT*PRIMA  | 19             |
| PHYSIPRO          | XL5             | PRA-U-CHKIT*PRIMA  | 19             |
| PRIDE MOBILITY    | QUANTUM REHAB   | PRA-U-CHKIT*PRIMA  | 19             |
| PRIDE MOBILITY    | LITE STREAM     | PRA-U-CHKIT*PRIMA  | 19             |
| PRIDE MOBILITY    | STYLLUS         | PRA-U-CHKIT*FXAXL  | 29             |
| SUNRISE / BREEZE  | BREEZY 600      | PRA-U-CHKIT*BREEZE | ----           |
| SUNRISE / BREEZE  | QUICKY 1 AND 2  | PRA-U-CHKIT*PRIMA  | 19             |
| SUNRISE / BREEZE  | ULTRA 4         | PRA-U-CHKIT*ULT4   | 24             |
| SUNRISE / BREEZE  | QX              | PRA-CHKIT*PRIMA    | 19             |
| SUNRISE / BREEZE  | QXI             | NON-COMPATIBLE     | NON-COMPATIBLE |
| SUNRISE / BREEZE  | LXI/LX          | PRA-CHKIT*PRIMA    | 19             |

**If your make and model are not listed above, please contact us. Most wheelchairs not listed here are compatible via one of our standard installation kits**

## Step by Step Installation:

|  |         |
|--|---------|
| <b>Step 3A</b> Detection System installation and installation (PRA-U-CHBASE) after S/N 1082. | Page 36 |
| <b>Step 4</b> <i>Release handle Installation</i>   | Page 41 |
| <b>Step 5</b> <i>Blockers Installation and Adjustment</i>                                    | Page 40 |
| <b>Spare Parts</b> for PRA-U-CHBASE  | Page 45 |
| <b>Spare Parts</b> for new brace bracket (fine adjustment cross bars brackets)               | Page 39 |
| Recommended <b>Maintenance / Lubrication</b>   | Page 42 |
| <b>Available updates</b> for Earlier Version (upgrading kits)                                | Page 43 |
| <b>Ordering form</b> (Fax form for new Complete WABSY kit)                                   | Page 44 |
| <b>Technical support/</b> Contact us:  | Page 46 |
|  |         |

# STEP 1A : INSTALLING THE BLOCKING DISCS (HOLLOW PIERCING)

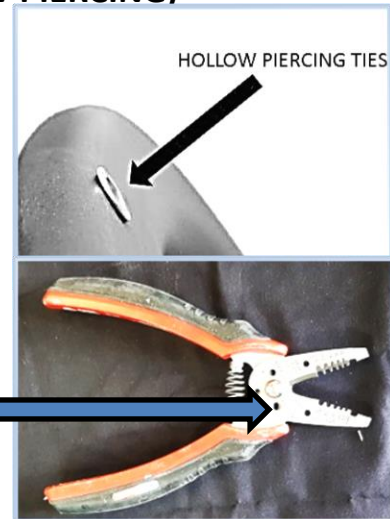
(PARTS # PRA-U-CHO18 / PRA-U-CHO20 / PRA-U-CHO22 / PRA-U-CHO24)

## PARTS INCLUDED IN THIS KIT

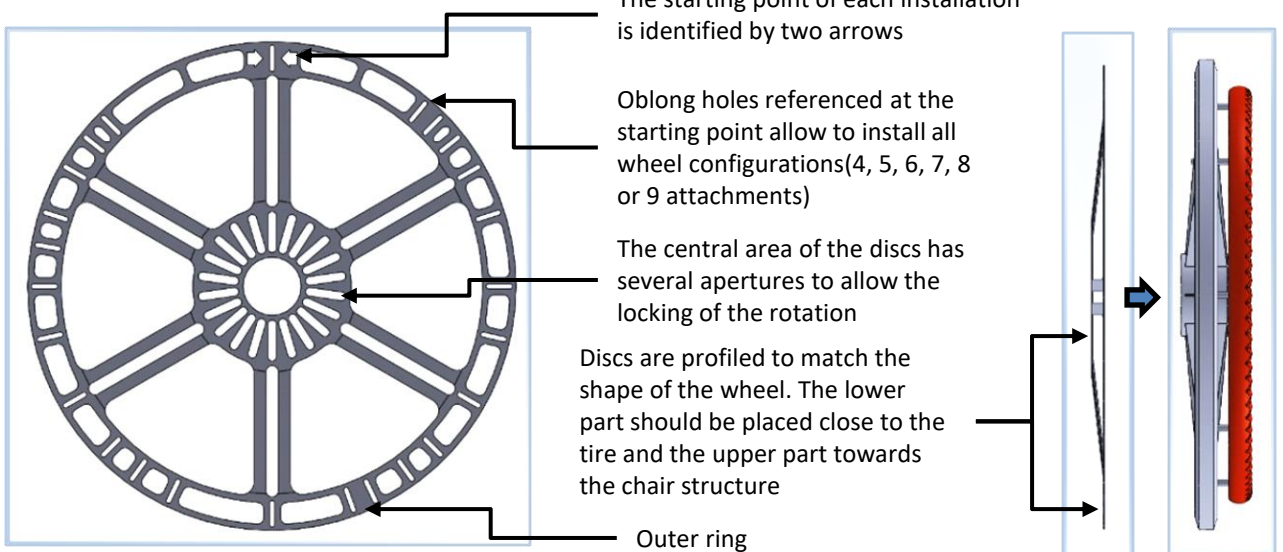
- A. 14 X Spacers ¼ in. long
- B. 14 X Spacers 3/8 in. long
- C. 14 X Spacers ½ in. long
- D. 14 X Spacers ¾ in. long
- E. 14 X 10-32 X 2 in. long machine screws
- F. 2X Embossed locking discs

## TOOLS REQUIRED IN THAT STEP

- A. A Philip or square #2 screw driver
- B. An electrician plier (10-32screw trimmer)

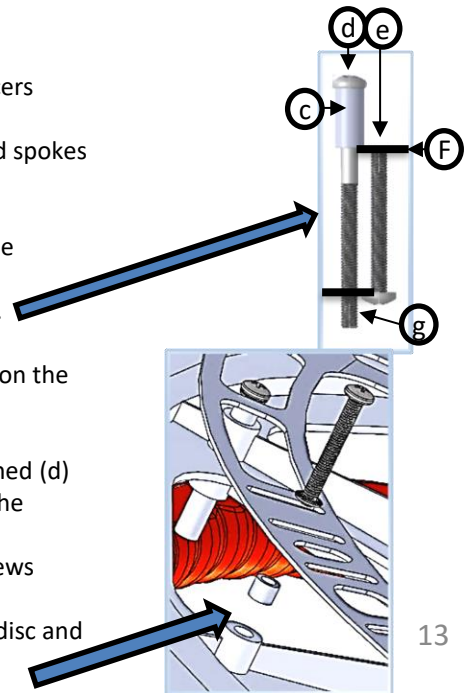


## BLOCKING DISCS DESCRIPTION



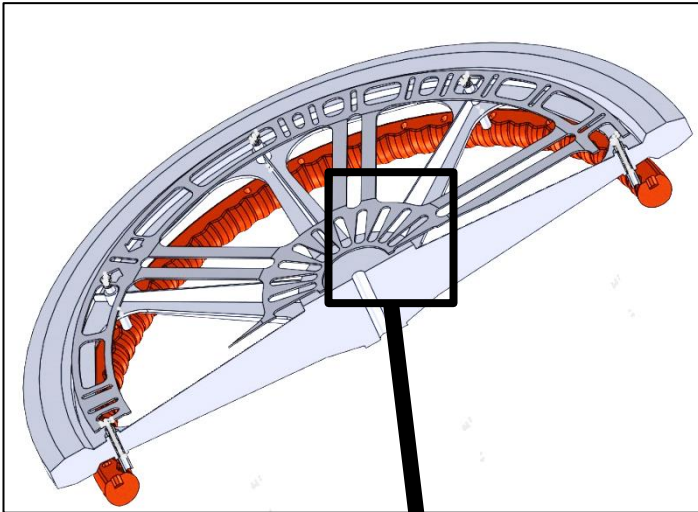
## INSTALLATION

1. Put the wheel on a flat and stable surface
2. Place the blocking disc on the wheel and evaluate the length of the spacers required
  - a. The locking openings must have a clearance (between discs and spokes of the wheel) of at least 1/8 of an inch (**SEE PAGE 14**)
  - b. The outer ring must be as close as possible to the tire
  - c. Choose the spacer length that optimizes both variables from the offered selection (1/4, 3/8, ½ or ¾ inch)
3. Cut the supplied screws to the correct length (tolerance of +/- 1/8 inch).
  - a. To determine the length to cut:
    - i. Remove one of the screws (e) that hold the handrim on the wheel
    - ii. Take the screw to cut (d)
    - iii. Insert the chosen spacer (c) on the screw to be trimmed (d)
    - iv. Put the end of the current screw (e) in contact with the spacer (c)
    - v. Cut the extra length (g) repeat for the number of screws required.
4. Assembled the disc with the new screws with the spacer between the disc and the wheel



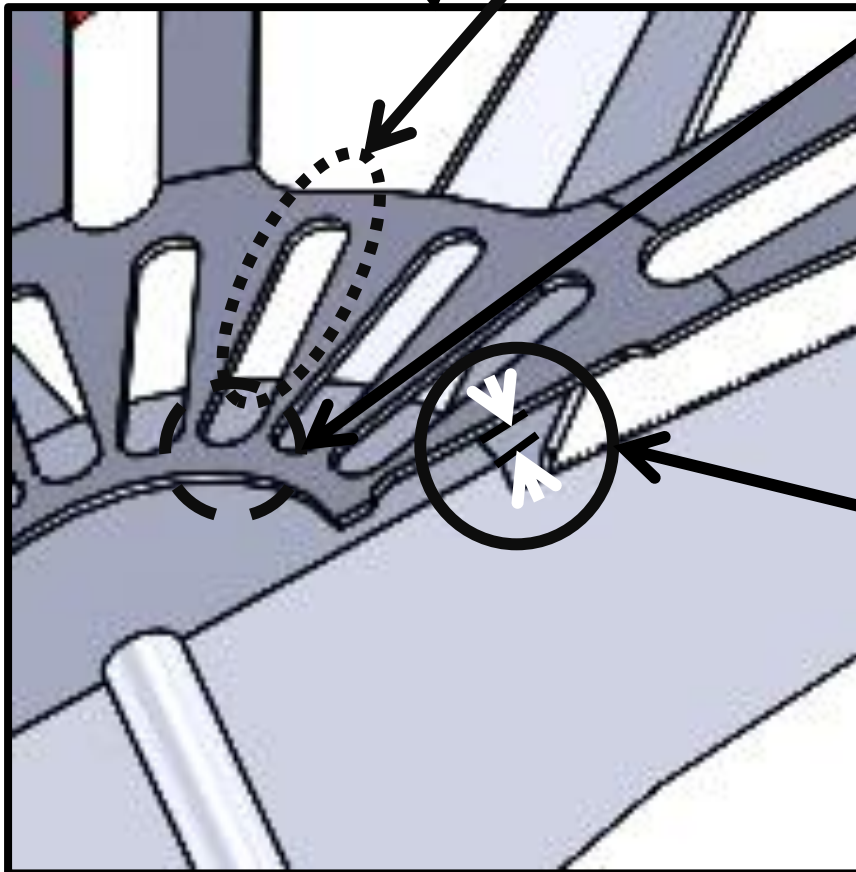
# POSITIONING DISCS AND DETERMINING LENGTH OF SPACERS TO BE USED

(PARTS # PRA-U-CHO18 / PRA-U-CHO20 / PRA-U-CHO22 / PRA-U-CHO24)



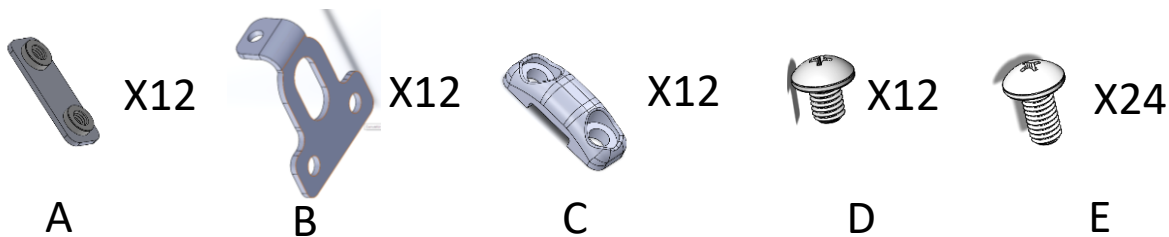
THE BLOCKER MUST BE ENTERABLE INTO THIS OPENING AND HIS END MUST BE ABLE TO EXCEED 1/8 INCH THE DISC

THE INNER PART OF THE DISC CAN BE IN CONTACT WITH THE WHEEL WITHOUT PROBLEM



CLEARANCE =  
**MIN 1/8 INCH**

# STEP1B – TAB HANDRIM DISCS INSTALLATION PROCEDURE (NEW BRACKET FROM JANUARY 15<sup>TH</sup> 2024) (PRA-U-CHKIT\*NEWLANG)



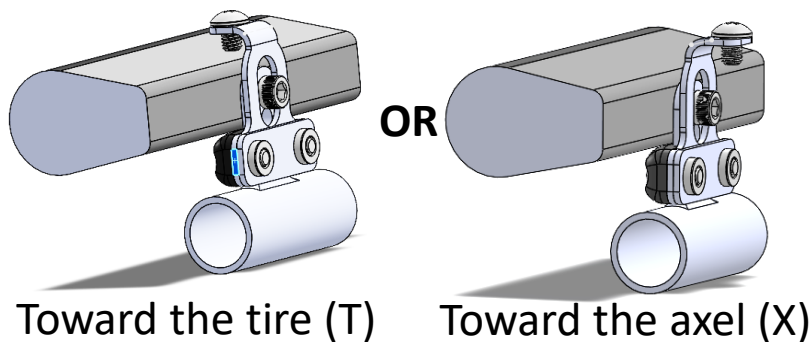
## PARTS INCLUDED IN THIS KIT

- A. 12X BACK PLATE WITH THREADED INSERTS
- B. 12X "L" BRACKETS
- C. 12X PLASTIC COMPRESSION SHAPED PLATE
- D. 12X 10-32 X ¼ IN LONG SCREWS
- E. 24X 10-32 X 3/8 LONG SCREWS

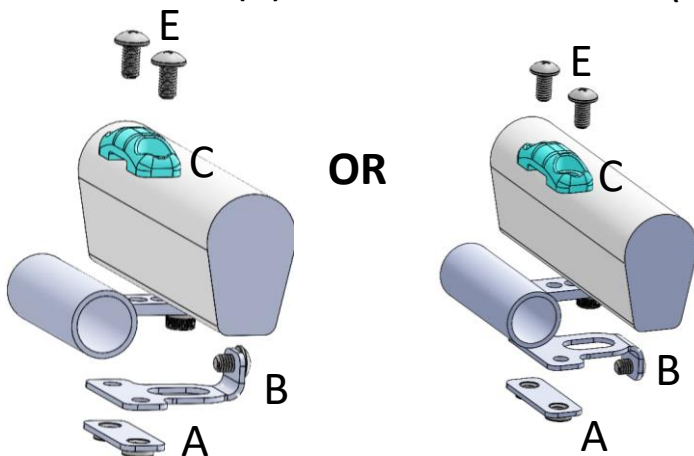
## THIS KIT IS USED WITH MAKE/MODEL (NOT LIMITED):

- MOTION COMPOSITES (ALL)
- PRIDE LITE STREAM

## BRACKET ASSEMBLAGE (2 options):

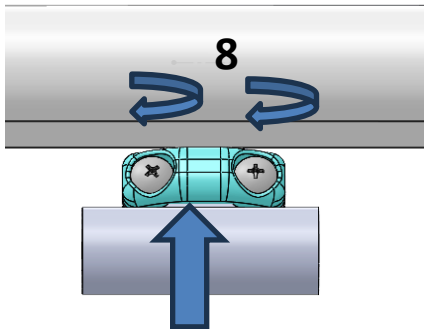
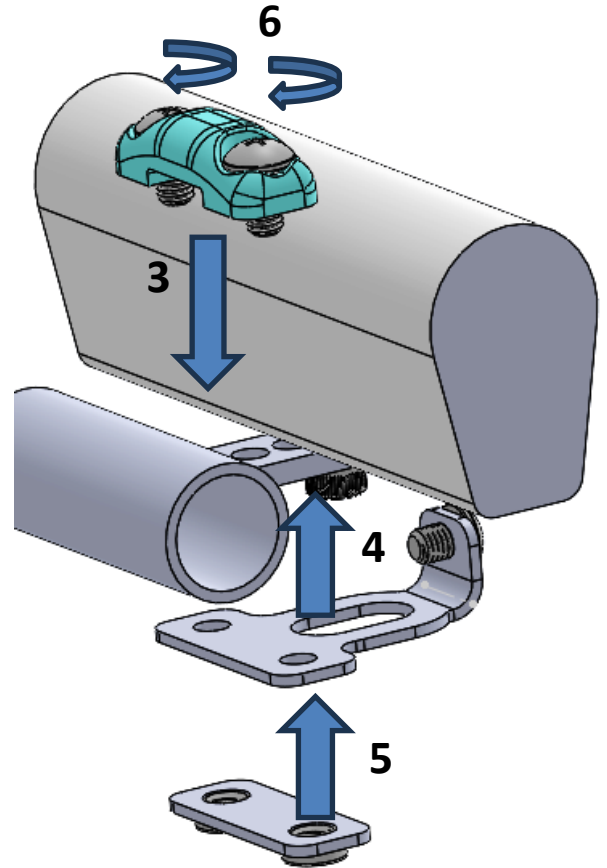
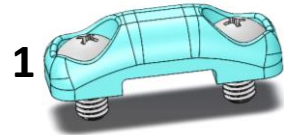


| Wheel size (in) | Prefered orientation |
|-----------------|----------------------|
| 18              | X                    |
| 20              | X                    |
| 22              | T                    |
| 24              | T                    |



**INSTALLATION STEP BY STEP:**

1. INSERT SCREWS (E) INTO PLASTIC COMPRESSION PLATE (C)
2. PLACE THE WHEEL IN THE VERTICAL POSITION
3. FIRST PUT IN PLACE THE PLASTIC COMPRESSION PLATE (C+E) OVER THE TAB AND HOLD IT WITH YOUR THUMB
4. FROM UNDERNEATH THE TAB, PUT THE L-BRACKET (FACING THE GOOD DIRECTION) AND HOLD IT WITH YOUR FINGER
5. PUT A PLATE WITH THREADED INSERTS (A) FLAT SIDE AGAINST THE L-BRACKET
6. WITH A PHILIPP SCREW DRIVER, ENGAGE THE 2 SCREWS
7. PUSH THE BRACKET TOWARD THE TIRE
8. TIGHT THE SCREWS IN PLACE.
9. REPEAT FOR EACH OF THE TABS.



7. PUSH TOWARD TIRE

# Step 1C TAB HANDRIM DISCS INSTALLATION PROCEDURE (ANCIEN BRACKETS) (PRA-U-CH\*LANG)

## Required material

1. 12 X L-shaped brackets (A) included
2. 12 X 10-32 x ½ in screws (B) included
3. 12 X 10-32 x 3/8 in screws (Z) included
3. 2 X bar-clamp (c)
4. 2 or 4 wooden blocks (d)

## Installation of the L-shaped brackets (A) – studs and nuts

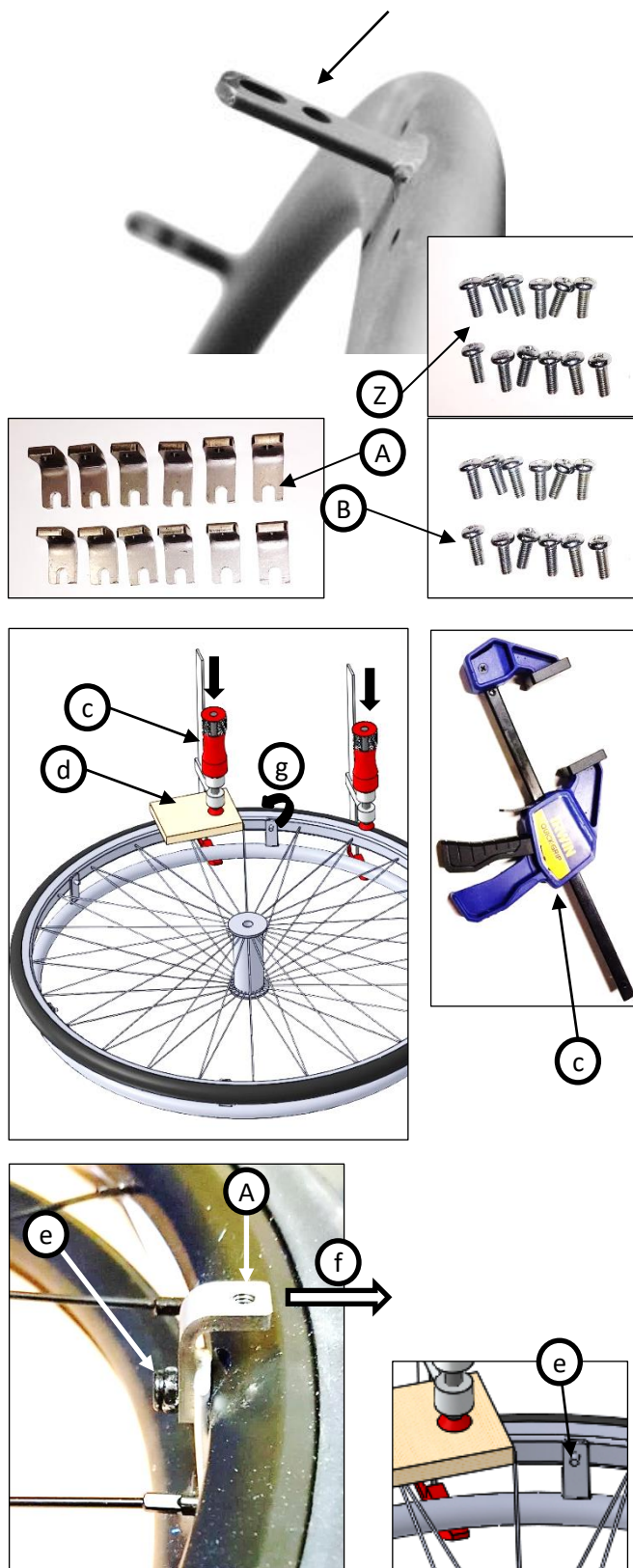
1. Using the 2 bar-clamps (c)
2. Place the bar-clamps (c) on each side of the attaching point of the handrims (e) see illustration) place wooden block under the pressure point in order to protect the handrim and wheel
3. Compress the handrim together with the wheel in order that the attachment screw's (e) rotation is locked
4. Unscrew (g) the nut (e) until there are sufficient space to insert the "L" bracket (A)
5. Place the bracket (A) in a position facing the outside as shown on the left bottom picture
6. Repeat procedure for each of the 4 or 6 attachment screws

## Installation of L-shaped brackets (A) – screws (Motion Composites)

1. Remove existing screws
2. Replace with supplied screws (3 mm longer supplied with the kit: PRA-U-CHKIT\*MOTION)
3. Insert L-shaped brackets

## Installing disks

1. Once all "L" brackets (A) are installed, use the standard procedure for disks installation
2. If needed, use ¼ in spacers included in the blocking disk box together with the 10-32 screws included.

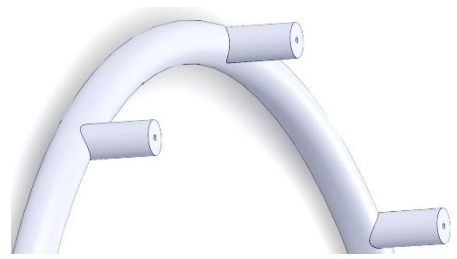


# STEP 1C : INSTALLING THE BLOCKING DISCS (PLASTIC HANDRIMS WITH INTEGRATED SPACERS)

(PARTS # PRA-U-CHO18 / PRA-U-CH020 / PRA-U-CH022 / PRA-U-CH024)

## PARTS INCLUDED IN THIS KIT

- A. 14 X Spacers ¼ in. long
- B. 14 X Spacers 3/8 in. long
- C. 14 X Spacers ½ in. long
- D. 14 X Spacers ¾ in. long
- E. 2X Embossed locking discs
- F. 12X #12 X 2 inches wood screws (IN PRA-U-CHKIT\*FXAXL)



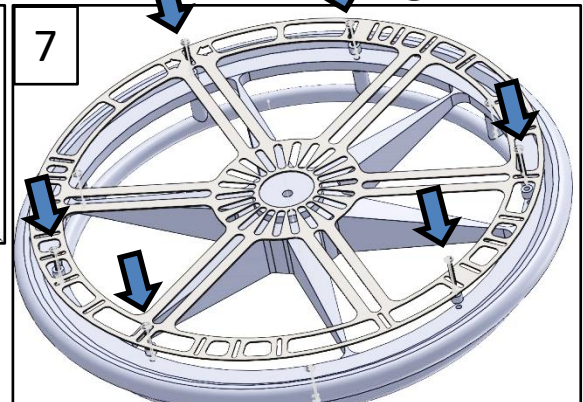
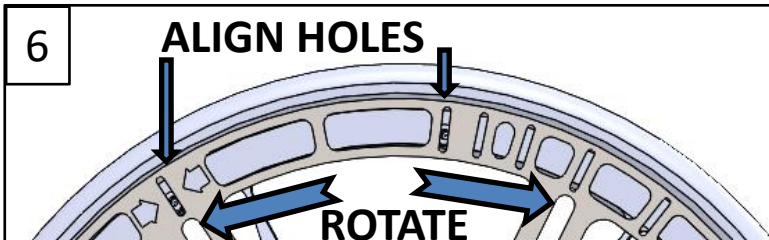
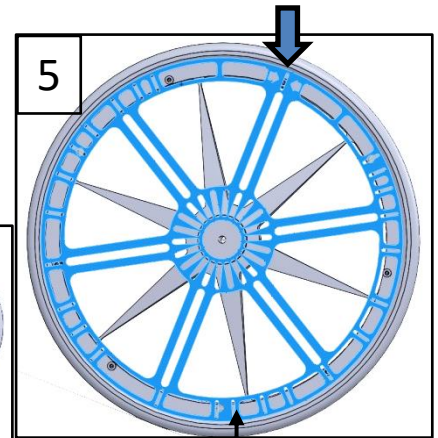
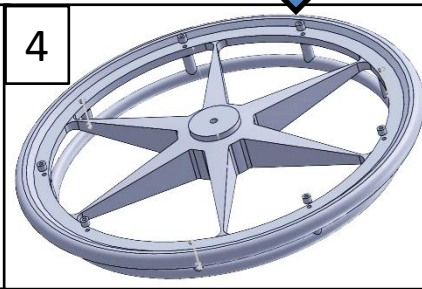
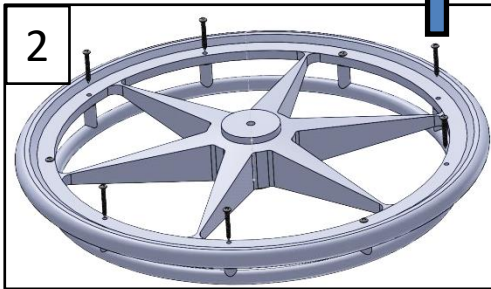
## TOOLS REQUIRED IN THAT STEP

- A. A Philip or square #2 screw driver

## BLOCKING DISCS DESCRIPTION (See step 1A page 13)

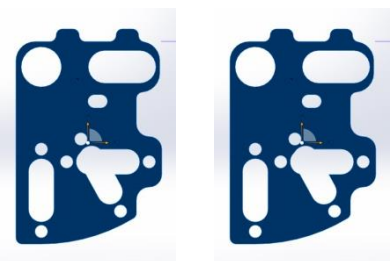
### INSTALLATION

1. Put the wheel on a flat and stable surface
2. Remove 6 of the 9 screws retaining the handrim s (REMOVE 2, SKIP 1 ...)
3. Place the blocking disc on the wheel and evaluate the length of the spacers required
  - a. The locking openings must have a clearance (between discs and spokes of the wheel) of at least 1/8 of an inch
  - b. The outer ring must be as close as possible to the tire
  - c. Choose the spacer length that optimizes both variables from the offered selection (1/4, 3/8, ½ or ¾ inch)
4. Place the selected spacers on the wheel
5. Put the disc (E) over the spacers with the starting hole aligned with an empty hole
6. Rotate the disk CW or CCW to align holes
7. Insert the new screws (F) and tighten firmly in place

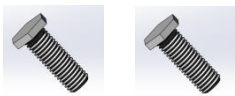


INSERT NEW SCREWS

# MULTI – ADJUSTABLE AXLES (HORIZONTAL / VERTICAL / WIDTH) (PRA-U-CHKIT\*PRIMA)



A



B



C



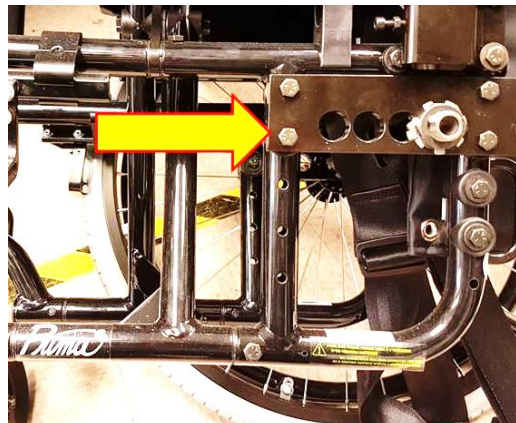
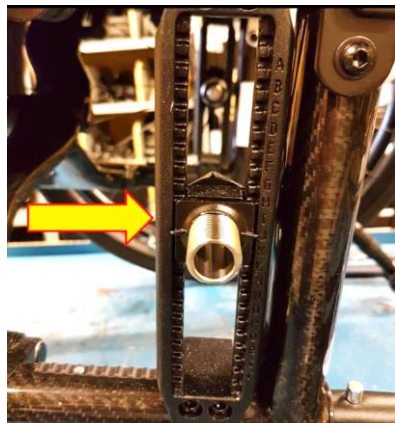
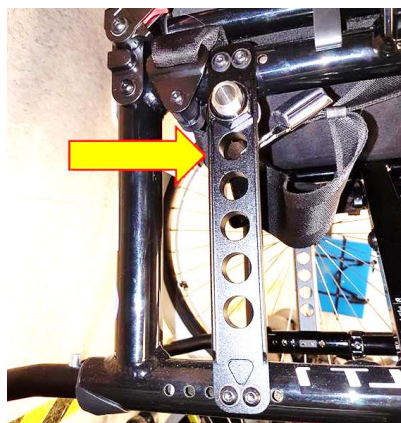
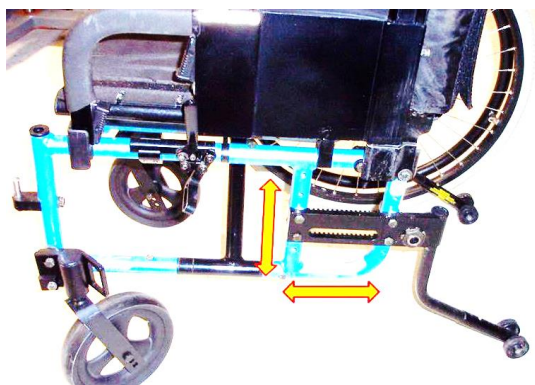
D

## PARTS INCLUDED IN THIS KIT

- A. 2X braking box attachment bracket
- B. 2X stabilisation bolts (5/8-11 x 1,5 in)
- C. 2X lock washer
- D. 2X 5/8-11 nut

## THIS KIT ALLOWS THE INSTALLATION OF THE FOLLOWING MAKE/MODEL (NOT LIMITED):

- Everest & Jennings / Metro
- Invacare / Myon / ACTION / MVP / ACTION
- Invacare / MVP / X4
- Orthofab / Prima / PRIMA 4
- MAPLE LEAF EZRIDE / NRG GOLD / SWIFT
- Physipro / XL5
- Pride Mobility / Light Stream
- Pride Mobility / Quantum Rehab
- Sunrise Breeze / Quickie I & II / QX / LX / LXI
- KI MOBILITY CAT 5

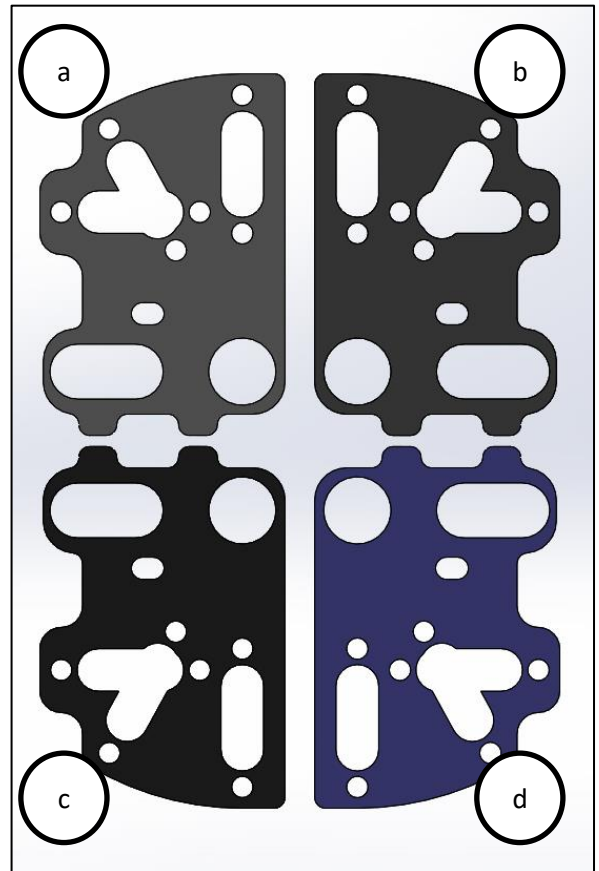
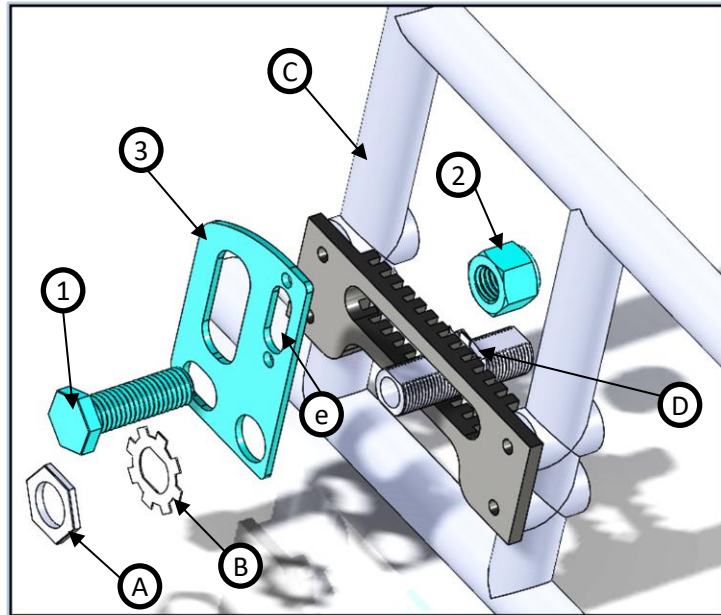


# ATTACHMENT BRACKET INSTALLATION

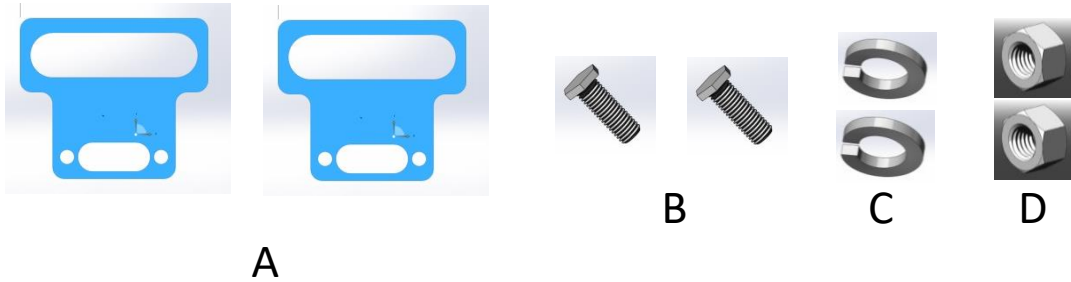
(PRA-U-CHKIT\*PRIMA)

## Attachment bracket installation.

1. Remove wheels
2. Remove axle nut (A) and nut blocking device (B).
3. Take note of the position of the axle socket (D) in order to keep the same adjustment.
4. Put attachment bracket (3) on the axle socket, you can use one of the four possible position (a) (b) (c) or (d). The position of the bracket is the one that leave spaces behind the bracket to be able to install the blocking box (e).
5. Put back the nut blocking device (B) and the axle nut (A). Tight it using hand force.
6. Put stabilization bolt (1) in the oblong hole of the bracket (3) and put the lock nut (2) in place.
7. Tight the screws and axle nut firmly.
8. Fold one of the nut blocking device tab to lock the axle nut (A).



## MULTI-ADJUSTABLE AXLES (HORIZONTAL/ VERTICAL / WIDTH) (PRA-U-CHKIT\*MYON) TO USE IN CONSTRAINT STRUCTURES

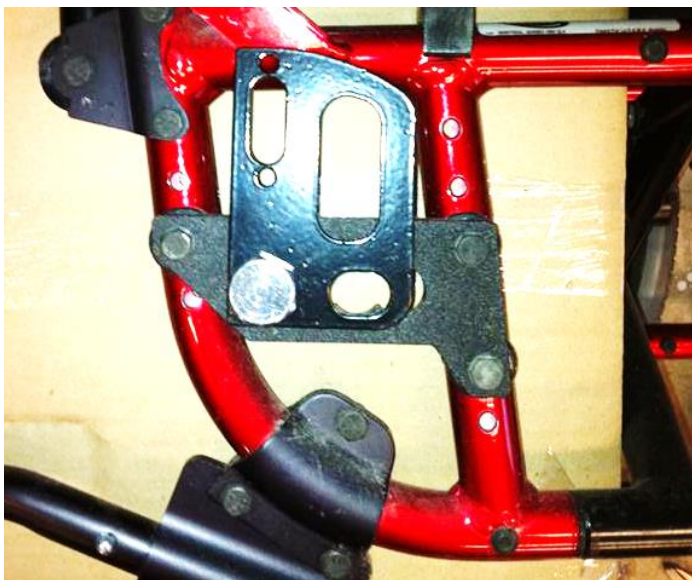


### INCLUDED WITH THIS KIT:

- A. 2X BLOCKING BOXES ATTACHMENT BRACKETS
- B. 2X STABILISATION BOLTS(5/8-11 x 1,5 in)
- C. 2X LOCK WASHERS
- D. 2X 5/8-11 NUTS

### THIS KIT ALLOWS THE INSTALLATION ON THE FOLLOWING WHEELCHAIRS:

This kit is used whenever the PRIMA kit cannot be used due to lack of space within the structures. The picture below shows when this bracket should be used



# BRACKETS INSTALLATION

(PRA-U-CHKIT\*MYON)

## QUICK RELEASE AXLE

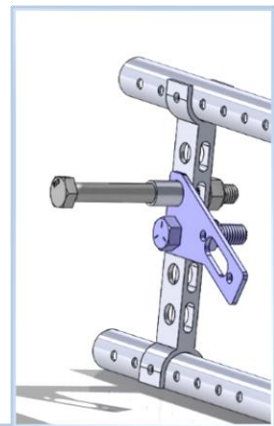
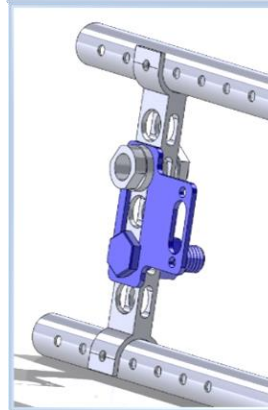
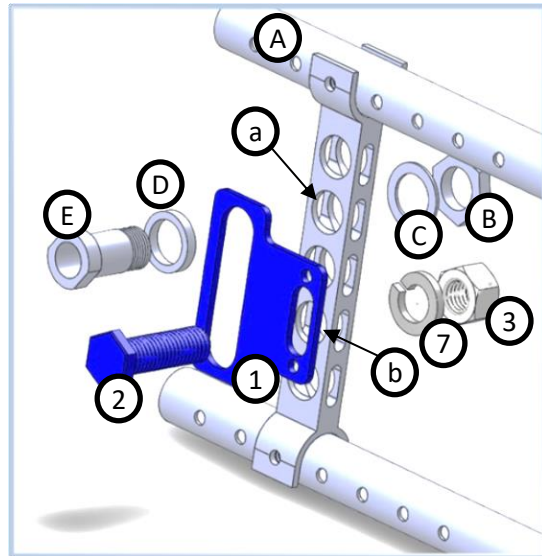
1. Remove bushing axle and components (B, C, D et E)
2. Put attachment bracket in place(1)
3. Put back the bushing axle, E, C et B at the same position(a)
4. Put stabilization screw (2) at the farthest available hole(b)
5. Put lock washer (4) and nut in place (3)
6. Tighten firmly both bushing axle and stabilization screw.

## FIXED AXLE PLATE

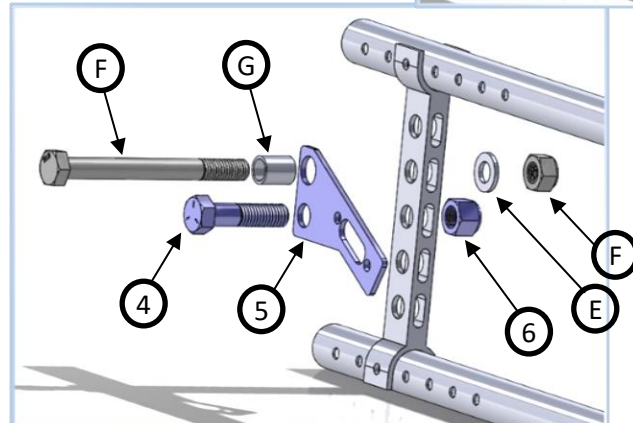
1. Remove wheel
2. Put attachment bracket (5) in position
3. Secure in place using screw (4) and nut (6). Before tightening, put axle screw and spacer in place to assure alignment.

Note: for foldability attachment bracket (1) or (5) should be mounted asymmetrically in a way that breaking box do not interfered during folding of wheelchair

## QUICK RELEASE

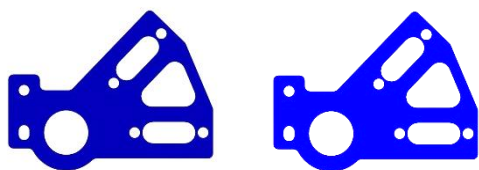


## FIXED AXLES



# CATALYST 4C

(PRA-U-CHKIT\*CAT4C)



A

## INCLUDED IN THIS KIT:

- A. 2X blocking boxes attachment brackets

## THIS KIT ALLOWS THE INSTALLATION ON THE FOLLOWING WHEELCHAIRS :

- Catalyst 4C (Ki mobility)

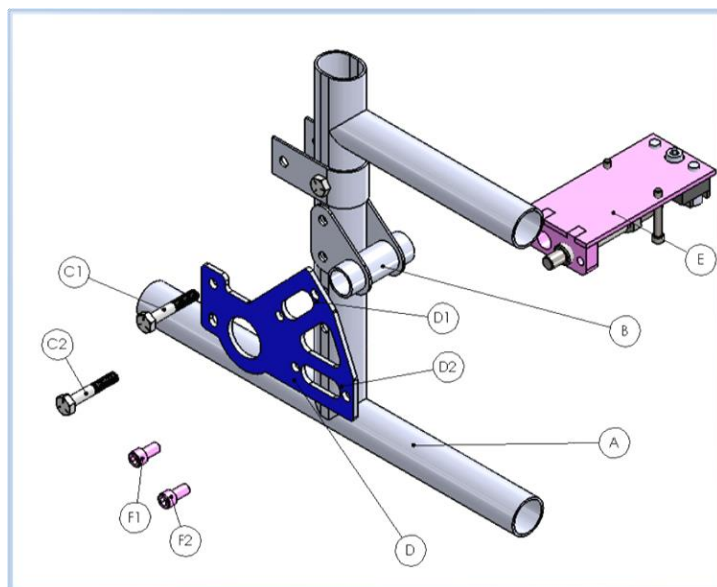
### Attachment bracket installation.

1. Remove wheels
2. Remove axle bracket attachment bolts C1 and C2
3. install Pratik's break attachment bracket in place (D)
4. Put back attachment bolts C1 and C2

### Braking box installation.

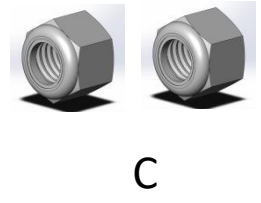
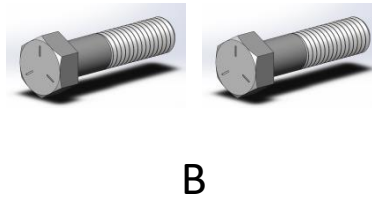
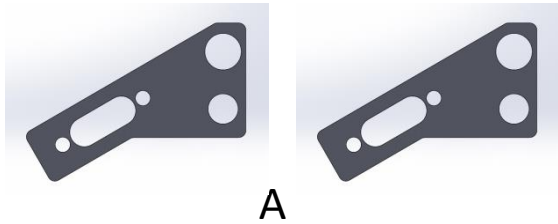
1. Locate breaking box (E)
2. Place breaking box in one of the position(D1) (D2).
3. Breaking box should be install in a different position on each side of the wheelchair to reduce the impact on foldability
4. Put in place the 2 X 1/4-20 included screws (F1) and (F2)

Note: For maximum foldability of the wheelchair, install blocking box in the D1 position on one side and D2 position on the other side.



# SUNRISE BREEZE ULTRA4

(PRA-U-CHKIT\*ULT4)



## INCLUDED IN THIS KIT:

- A. 2X braking box attachment brackets
- B. 2X (1/2-13 x 2 po) stabilisation bolts
- C. 2X (1/2-13) lock nut

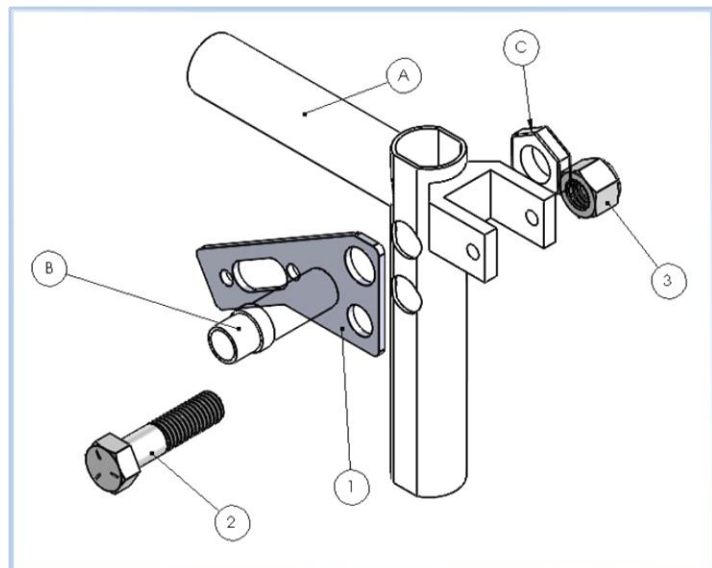
## THIS KIT ALLOWS THE INSTALLATION ON THE FOLLOWING WHEELCHAIRS :

- Sunrise Breeze Ultra 4

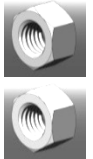
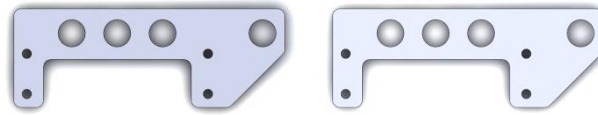
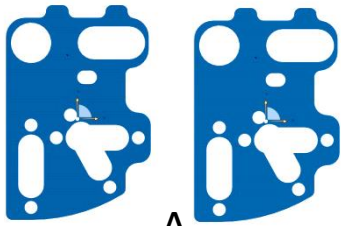
### Attachment bracket installation.

1. Remove wheels
2. Remove axle socket (B) and (C)
3. Place mounting bracket (1) against wheelchair frame (A)
4. Put back in place axle socket (B) and nut (C)
5. In the lower hole of the bracket (1), insert supplied stabilization bolt (2)
6. Put supplied nut (3) in place
7. Tight firmly both axle socket (B+C) and stabilization bolt (2+3)

Note: for maximum foldability attachment bracket (1) should be mounted asymmetrically first pointing backward and other pointing forward.



# ORTHOFAB CH (PRA-U-CHKIT\*CH)



## INCLUDED IN THIS KIT:

- A. 2X braking box attachment bracket
- B. 2X stainless replacement axle attachment plate
- C. 2X stabilisation bolts (5/8-11 x 1,5 in)
- D. 2X lock washer
- E. 2X 5/8-11 nut

## THIS KIT ALLOWS THE INSTALLATION ON THE FOLLOWING WHEELCHAIRS :

- Orthofab CH

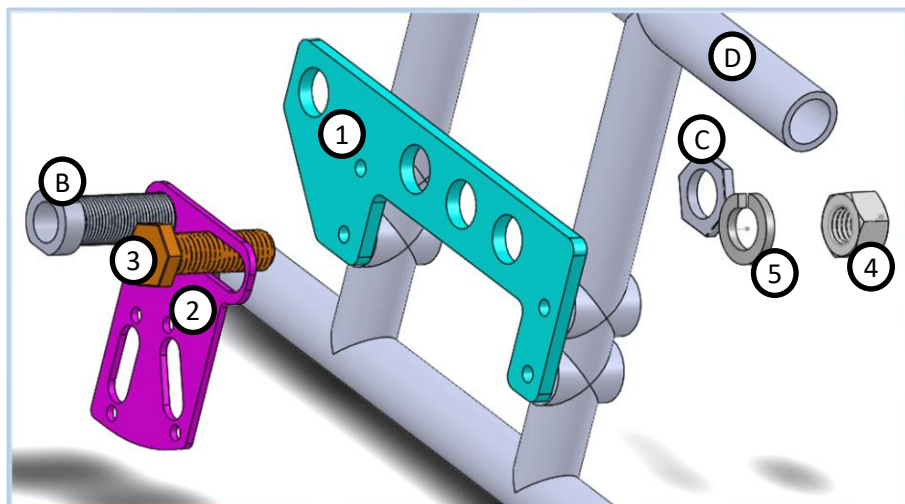
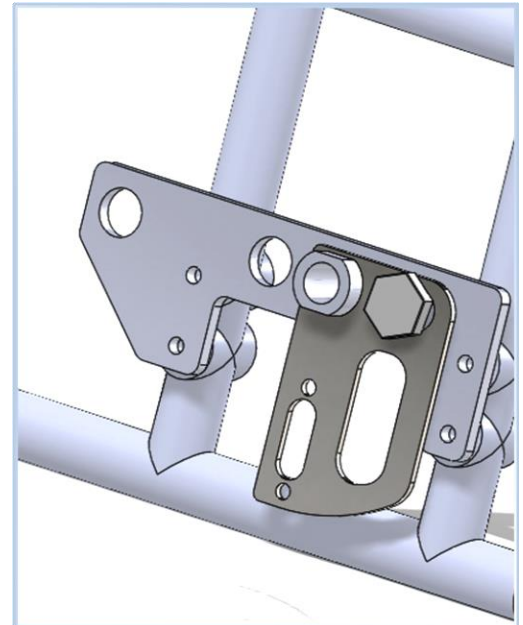
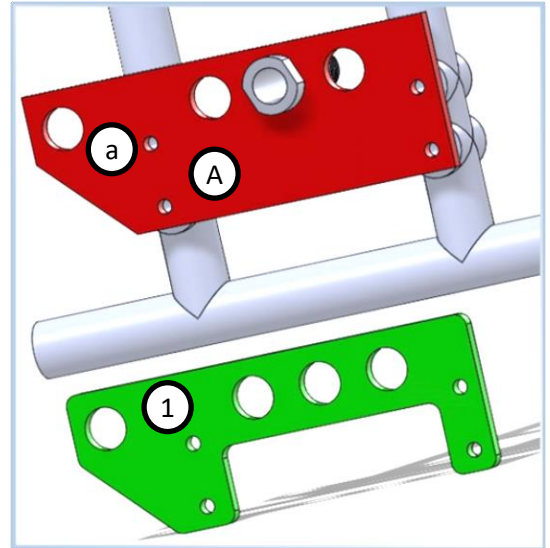
# BRACKETS INSTALLATION

(PRA-U-CHKIT\*CH)

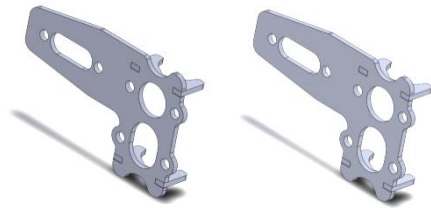
## Attachment bracket installation.

1. Remove wheels
2. If axle mounting plate is like the one illustrated (A) then you have to replace it by the new axle mounting plate supplied with the kit (1). Simply remove the 4 screws that hold it in place, put the new plate on and use the same 4 screws to attach it.
3. Remove axle socket (B) by unscrewing its associated nut(C)
4. Place mounting bracket (2) and put back axle socket (B) and nut (C)
5. insert supplied stabilization bolt (3), lock washer (5) and nut(4)
6. Tight firmly both axle socket (B+C) and stabilization bolt (3+4)

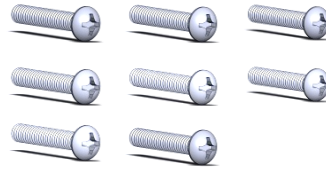
Note: for maximum foldability there are 2 possible mounting points for braking boxes (L1 and L2) on the attachment bracket (1), use L1 on left side and L2 on right side when space is available to do so.



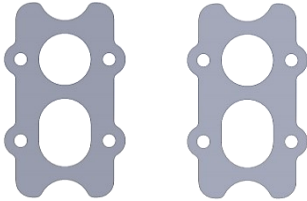
# EVEREST & JENNINGS P2+ (PRA-U-CHKIT\*P2+)



A



B



C



D

## INCLUDED IN THIS KIT:

- A. 2X braking box attachment bracket
- B. 8X ¼-20 x 1,5 po screws
- C. 2X back attachment plate bracket
- D. 4X (0,481"ID X 0,780"OD x 1/8 thick) stainless spacers

## THIS KIT ALLOWS TO INSTALL THE FOLLOWING WHEELCHAIRS:

- Everest & Jennings P2+
- Guardian Easy Care 2000
- Guardian Easy Care 4000

NOTE: THIS KIT HAVE BEEN REPLACE BY THE FXAXL, MOUNTING INSTRUCTION ARE LEFT HERE IN CASE YOU HAVE OLDER KITS.

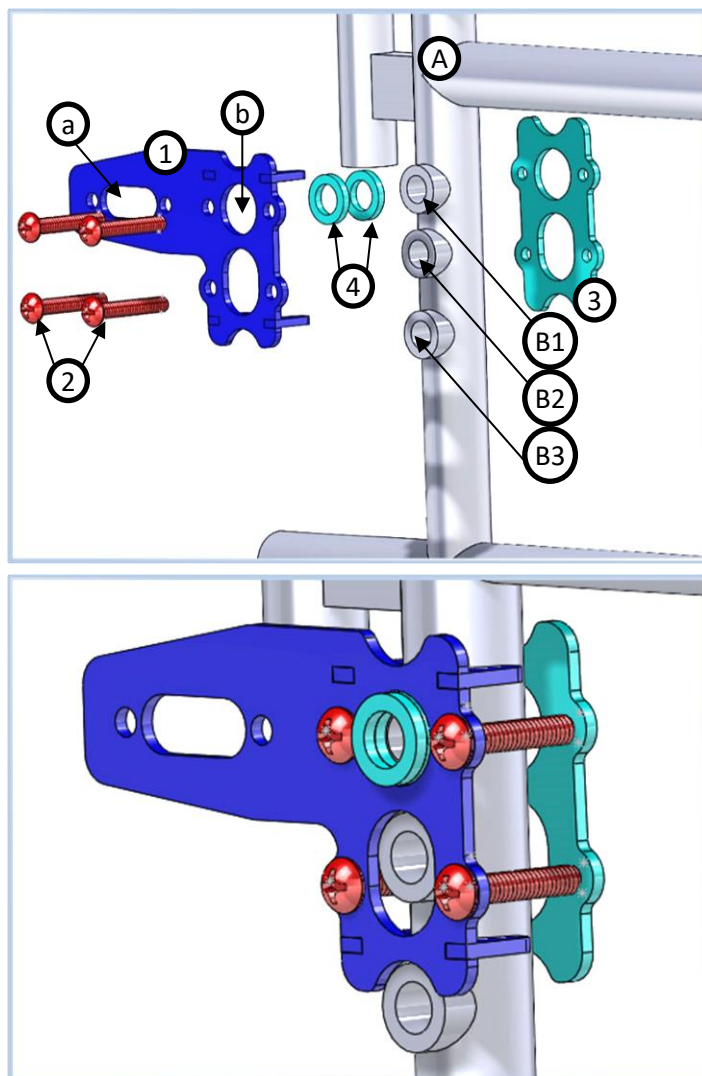
# BRACKETS INSTALLATION

(PRA-U-CHKIT\*P2+)

## Attachment bracket installation.

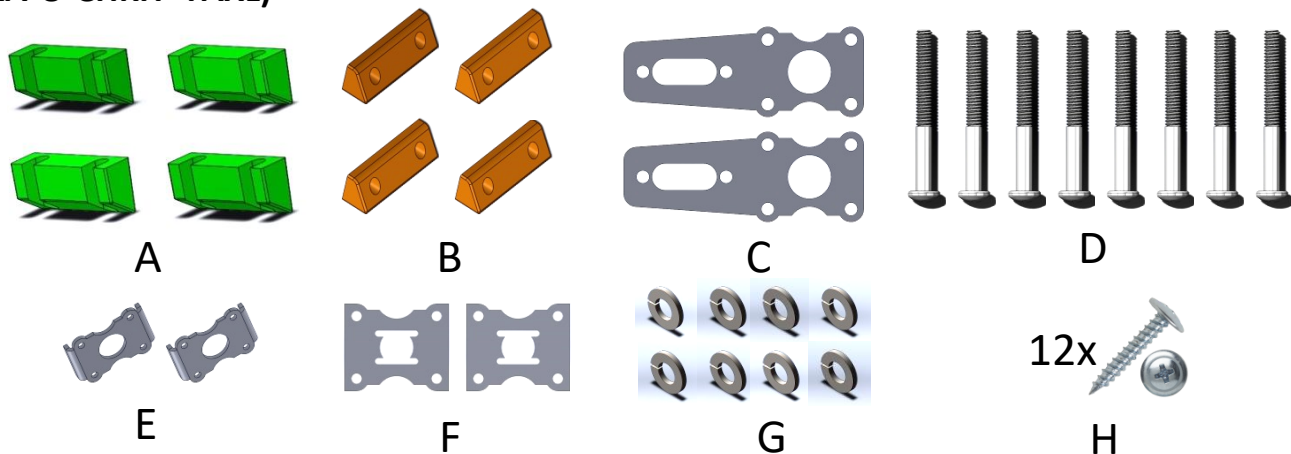
1. Remove wheels
2. Insert the round hole (b) of the attachment bracket (1) into the axle tube in use (B1, B2 or B3)
3. Placer the counter bracket (3) on the opposite side of the structure tube (A) as shown on the picture. Insert the 4 ¼-20 X 1,5 in screws (2) in a way that bracket (1) and (3) are secured together (see bottom picture).
4. Put the wheel back in place.
5. Note that there are several model of p2+ with different axle tube length. In some case, you may need to use 1 or 2 spacers (4) to increase space between bracket and wheel and avoid interference.
6. Note that depending of the position of the wheel and depending of the model, you may have to install the bracket (1) in a way that the blocking box attachment is pointing toward the front.

Note: for maximum foldability attachment bracket (1) should be mounted asymmetrically (one pointing forward and the other pointing backward).



## FIXED AXLE

(PRA-U-CHKIT\*FAXL)



### INCLUDED IN THIS KIT:

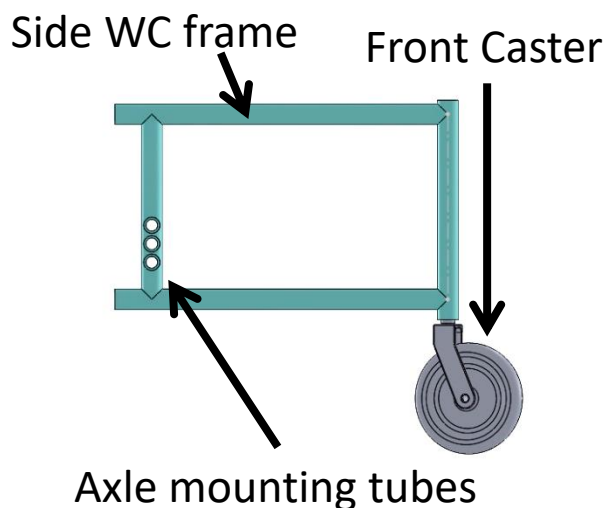
- |                                 |  |
|---------------------------------|--|
| A. 4X CONTACT ANGLED BLOCKS     | E. 2X BACK PLATES  |
| B. 4X COMPRESSING ANGLED BLOCKS | F. 2X STABILIZERS  |
| C. 2X ATTACHMENT BRACKETS       | G. 8X 1/4 LOCK WASHERS   |
| D. 8X 1/4-20 X 2,0 inches bolts | H. 14 X #12 2 inches long wood screw (used to attached plastics handdrims p. 16) |

### THIS KIT ALLOWS TO INSTALL THE FOLLOWING WHEELCHAIRS (NOT LIMITED):

- |   |                            |
|---|----------------------------|
| - Everest & Jennings P2+ / COPIES (ALL) | - MAPLE LEAF ACCESS / NRG+ |
| - Guardian Easy Care 2000 / 4000        | - PRIDE MOBILITY STYLLUS   |
| - GORDEN                                |                            |
| - INVACARE 9000 / TRACER                |                            |
| - DRIVE (ALL)                           |                            |

### MOUNTING PROCEDURE

1. First remove the big rear wheels from the Wheel chair
2. Locate the axle mounting tubes



VIEW FROM OUTSIDE OF THE FRAME

# BRACKETS INSTALLATION

(PRA-U-CHKIT\*FXAXL)

3. Look at where the component are going (right illustration)

## WORKING FROM OUTSIDE THE FRAME

4. Take the attachment bracket (C) , insert the four bolts (D) with the four lock washers (G) in the openings, insert stabilisation plate ( F) (stabilisation plate is supply for smaller axle barrels and can be install on the **outside or on the inside** of the **frame vertical tube** depending of the best fit, **in most case we install on the interior**).

5. Then place components (A) on each side of the vertical frame tube.

6. Insert components (B).

7. Insert the assembly on the vertical tube with the appropriate axle tube in the attachment bracket axle opening

## NOW FROM THE INSIDE OF THE FRAME

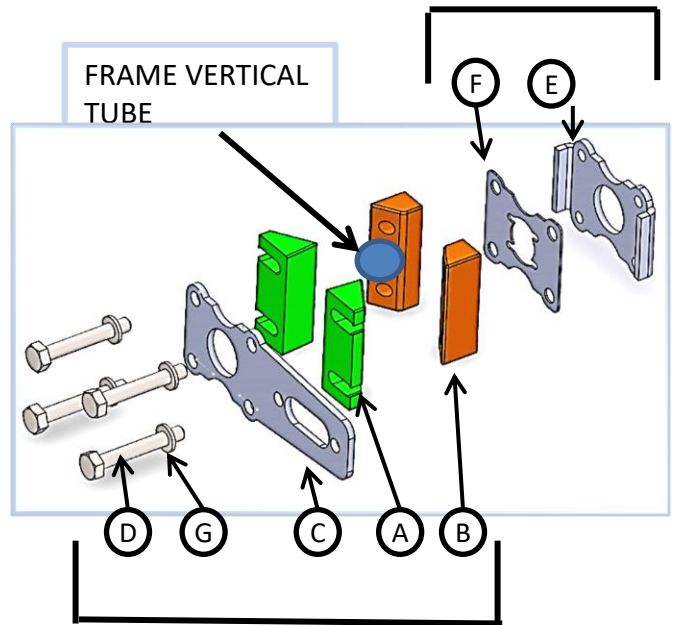
8. Insert de stabilisation plate (F)

9. Insert the back plate (E)

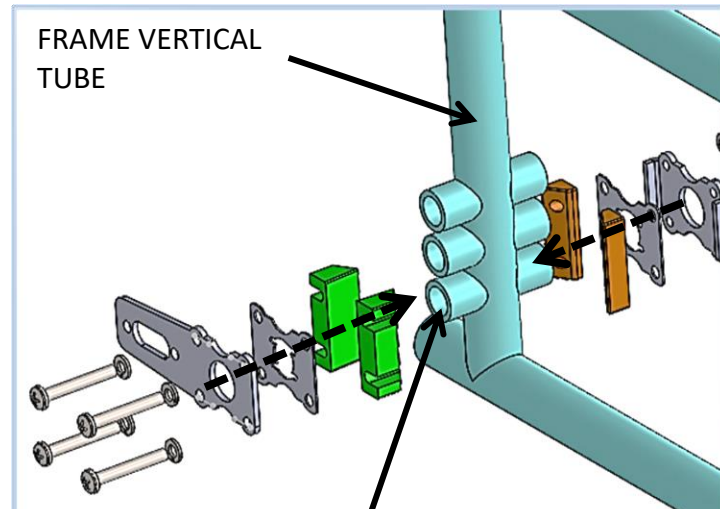
10. Engage the screws in the back plate (E) and tight the screws until the bracket is stable and cannot move

NOTE THAT THE BRACKET CAN BE INSTALLED POINTING TOWARD THE FRONT OR THE REAR OF THE WHEELCHAIR. **FOR BETTER RESULTS LEFT SIDE SHOULD BE MOUNTED POINTING FRONT AND RIGHT SIDE POINTING REAR OR VICE VERSA.**

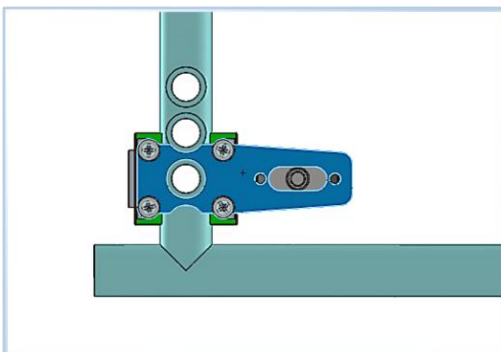
INSTALL FROM INSIDE



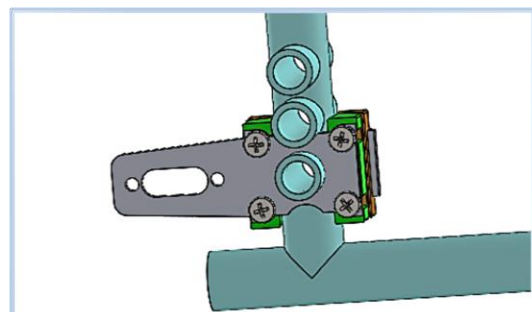
INSTALL FROM OUTSIDE



Rear wheel's mounting axle barrel



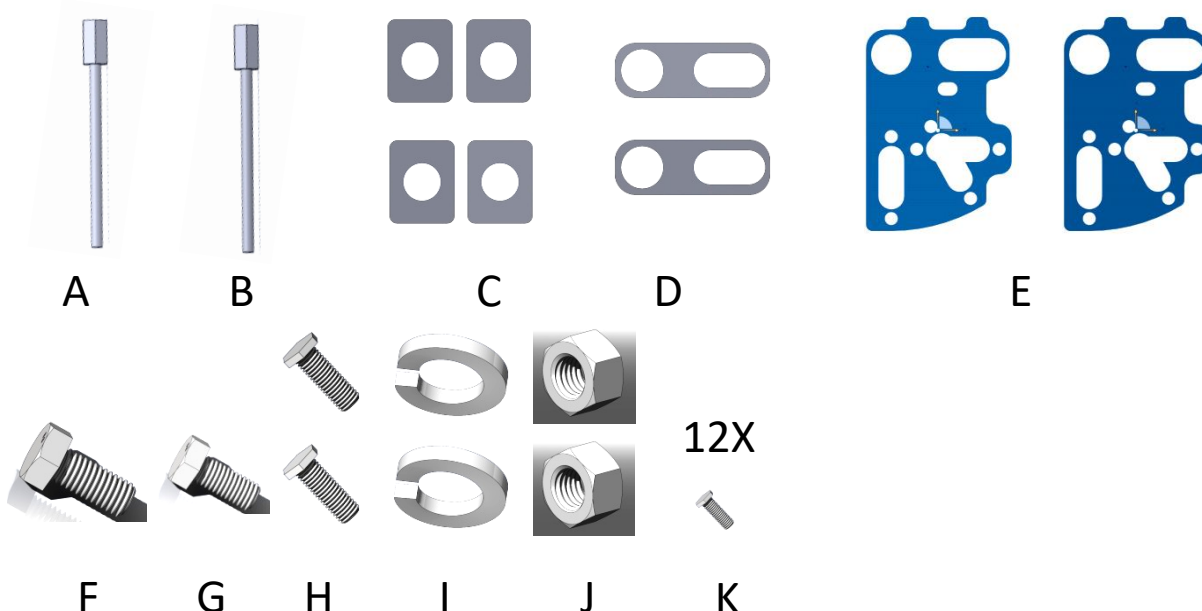
OR



# MOTION COMPOSITE

(PRA-U-CHKIT\*MOTION)

For the Platinum and Helio models, fitted with the wide crosspiece, the position of the detector is pushed backwards, so it is recommended to use a stiffener with the cushion in order to widen the detection zone and ensure proper operation.



## INCLUDED IN THIS KIT:

- A. 1X 8mm X 150 mm pushing rod with nut (SUPPLIED TOOL)
- B. 1X 10 mm x 100 mm pushing rod with nut (SUPPLIED TOOL)
- C. 4X SPACERS (1,375 X 1,1 inch 0,187 thick with 5/8 hole) (to be used with fine step (A to T) axle bracket)
- D. 2X SPACERS (1 X 2,87 in X 0,125 thick) (to be used with multiple hole axle bracket)
- E. 2X PRIMA blocking/braking box attachment plate
- F. 1X steel M10 – 1,50 X 20 mm replacement bolt for rectangular braces (MOVE/COBALT/CHRONOS)
- G. 1X steel M8-1,25 X 18 mm replacement bolt for composites braces (HELIO / PLATINE)
- H. 2X 5/8-11 X 1,5 in stabilisation bolts
- I. 2X 5/8 lock washers
- J. 2X 5/8-11 nuts
- K. 12 X 4 mm X 18 mm long replacement screws for handrims
- L. 1X THREADLOCKER (2 ml) – not illustrate

## WHEELCHAIRS THAT CAN BE INSTALL WITH THIS KIT (NOT LIMITED):

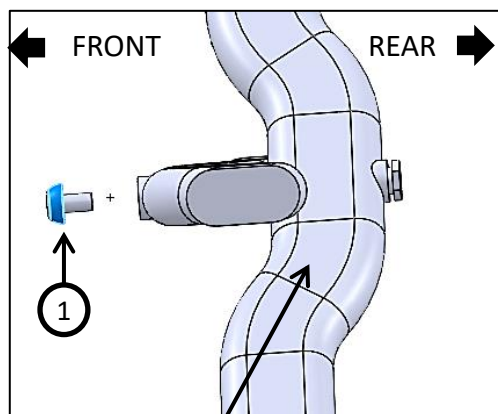
- Motion Composites HELIO
- Motion Composite PLATINE
- Motion Composite COBALT /CHRONOS
- Motion composites MOVE

# BRACE BRACKET INSTALLATION (PRA-U-CHKIT\*MOTION)

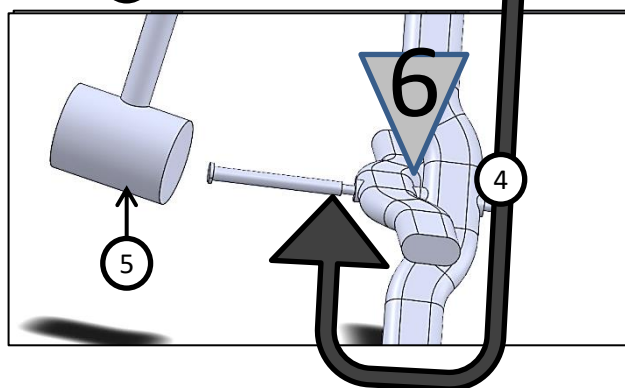
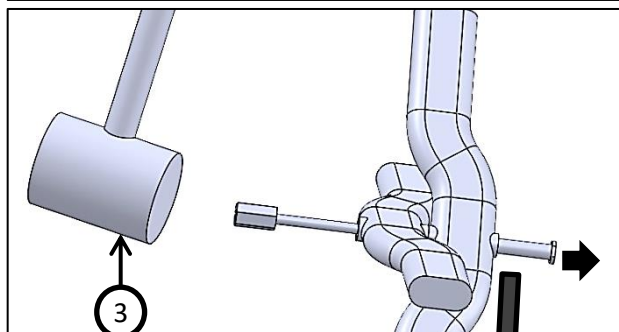
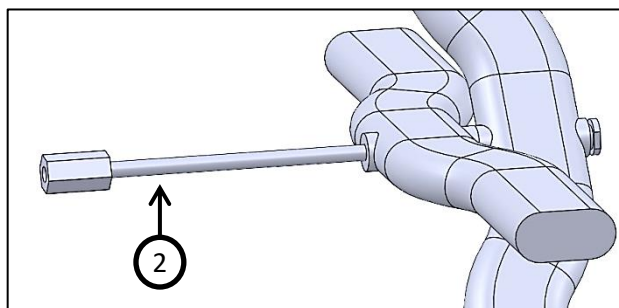
## RETURNING THE PIVOT ROD

*in most cases, the screw attached to the pivot rod disassembles to the front. Since the detection system must be installed backwards, it is necessary to remove this pivot rod and turn it so that the screw can go backwards. The procedure to be followed is the same whether it is for the braces shaped rectangular or oval (composite).*

1. Remove the current screw from the pivot rod (8 mm for oval HELIO/PLATINE or 10 mm for square braces - MOVE/CHRONOS/COBALT)
2. Screw the appropriate extraction tool on the pivot rod
3. Using a rubber hammer, gently strike the extraction tool, the pivot rod will come out of the spider.
4. Keeping the extraction tool in place, unscrew the pivot rod and screw it back to the other end of the extraction tool.
5. Again with the rubber hammer, gently hit the pivot rod until it goes back into place.
6. Be careful when the rod enters the second part of the cross, it is possible that there is a slight misalignment. Replace the second brace member to ensure that the pivot rod can enter the opening.



HELIO/PLATINE BRACES ILLUSTRATED HERE



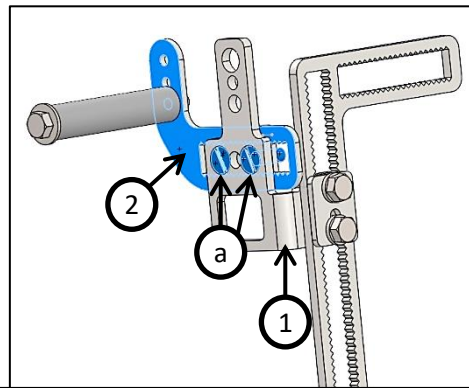
# BRACE BRACKET INSTALLATION (PRA-U-CHKIT\*MOTION)

## Brace bracket installation

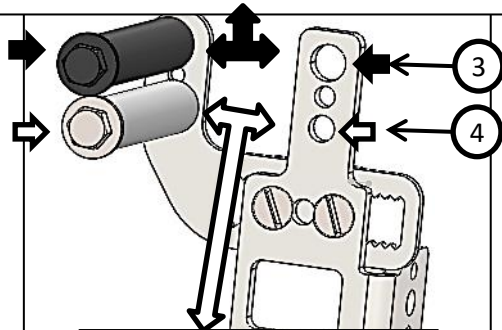
1. Remove the brace bracket from the detection system (PRA-U-CHBASE)
2. Loosen the 2 screws (a) that are holding the stabilizer holding plate
3. If the system is being installed on a MOVE/COBALT/CHRONOS, the brace bracket will use the upper 10 mm hole and the rubber stabilizer should then be installed on the upper threaded hole of the holding plate.
4. If the system is being installed on a HELIO / PLATINE, the brace bracket will use the lower 8 mm hole and the rubber stabilizer should then be installed on the lower threaded hole of the holding plate.
5. Using the right hole (8mm or 10 mm) and with the supplied appropriate replacing pivot bolt (F or G) secure the brace bracket to the pivot rod.

**WARNING! Thread lock should be applied on the thread of the new pivot bolt.**

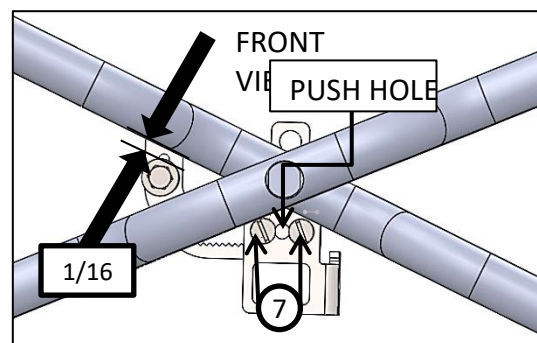
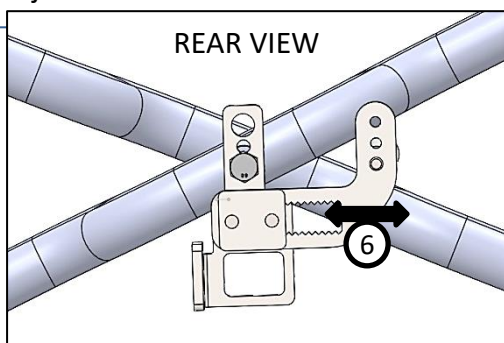
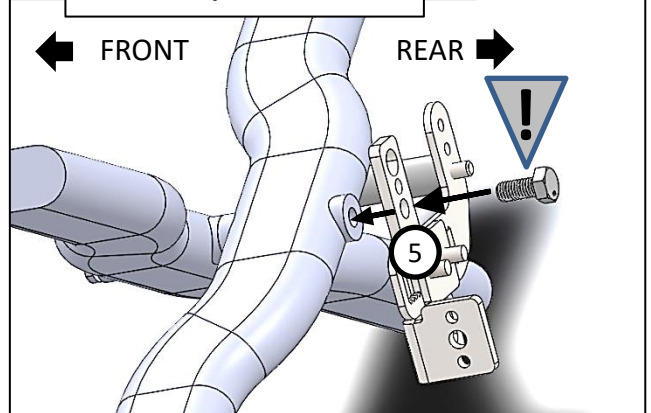
6. With the wheelchair fully opened / fully deployed, Adjust the position of the rubber stabilizer. Allows a 1/16 distance between the stabilizer and the braces
7. And tight the flat head screws holding the stabilizer plate
8. Please follow instruction on page 34 for the detection system installation and adjustment



### MOVE/COBALT/CHRONOS



### HELIO / PLATINE



# AXLE BRACKETS INSTALLATION (PRA-U-CHKIT\*MOTION)

With the wheels removed

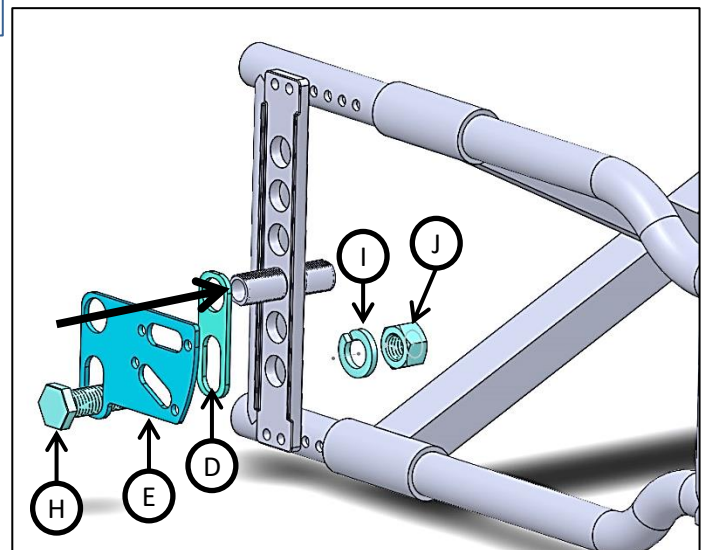
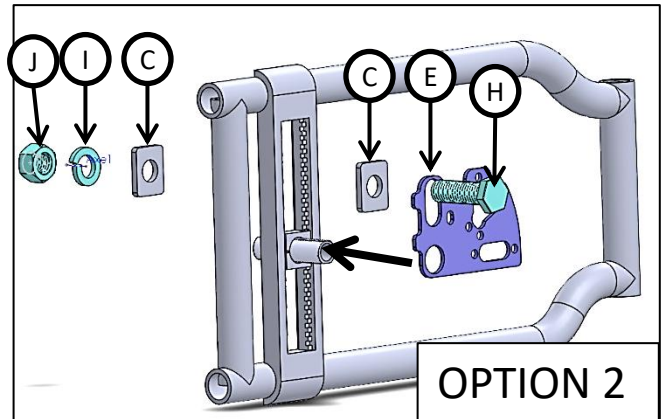
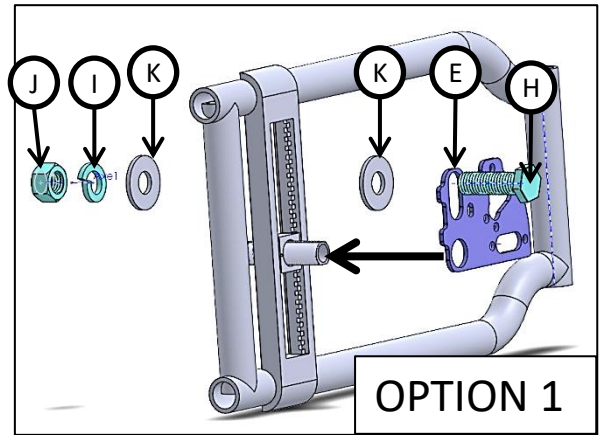
## **For PLATINE AND SOME HELIO (WITH A-T PLATE)**

1. Option 1 – the bracket are mounted using washers on the inside and on the outside of the axle bracket. See picture on the right for details.
2. Option 2 – washers are replace with rectangular spacers that are embedded in the axle plate. See pictures on the right for details.

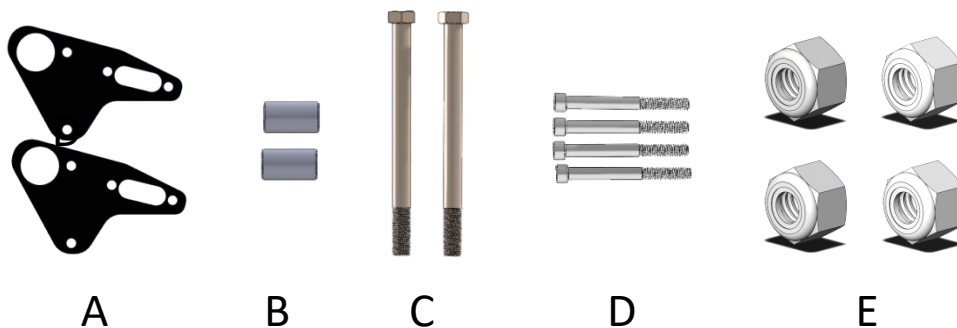
## **For MOVE / COBALT / CHRONOS AND SOME HELIO (WITH MULTIPLE HOLES)**

1. The brackets are mounted using stainless spacers on the outside of the axle bracket. See picture at the left bottom for details.

**NOTE** that the axle brackets can be **positionned** in 4 different positions. Choose the position that best fit the wheelchair you are installing. When installing the blocking box, use a different position on the right and on the left of the wheelchair.



# INVACARE PATRIOT (PRA-U-CHKIT\*INVPATRIOT)



## INCLUDED IN THIS KIT:

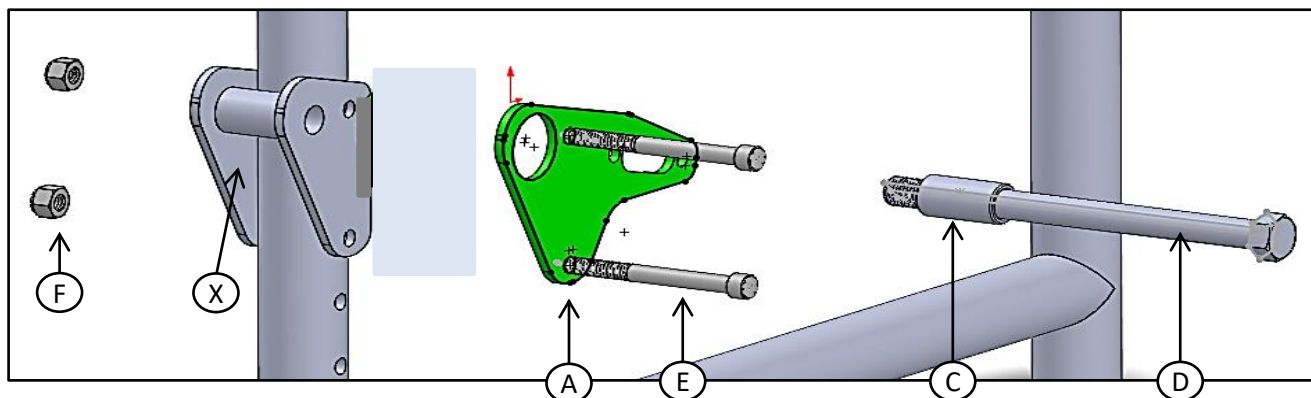
- A. 2X blocking/braking box attachment plate
- B. 2X aluminium spacer for wheel mounting (0,750 OD 0,438 ID X 0,875 in LG)
- C. 2X steel 7/16 UNF X 5,5 in long grade 8 axle bolts
- D. 4X steel ¼-20 screws 2,5 in long
- E. 4X ¼-20 lock nuts

## WHEELCHAIR THAT CAN BE INSTALLED WITH THIS KIT:

- Invacare Patriot

## INSTALLATION PROCEDURE:

1. Remove the wheels
2. Remove the 2 screws that hold the existing axle bracket (X) in place
3. Place the blocking/ braking box attachment plates (A) over the axle bracket (X)
4. Insert back the 2 screws removed in step 2 (4 extras screws ¼-20 X 2,5 inch are supplied in case, usually you do not need them)
5. When you put back the wheels in place, remove the current bolts and replace them with the supplied bolt (C) that are ½ longer.
6. When putting back the wheels, use the supplied spacers (C) between the wheel and the armrests.

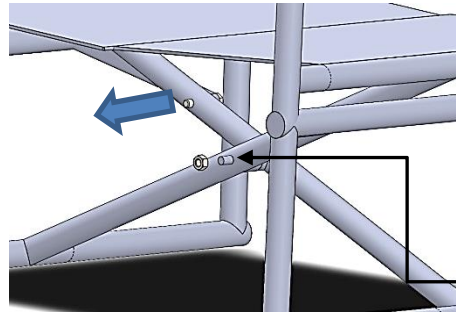
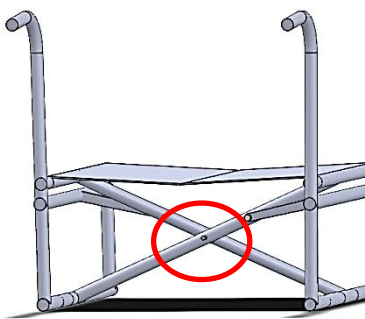


# DETECTION SYSTEM INSTALLATION (For S/N After 1082 – April 2019) (PRA-U-CHBASE)

Units produced after April 2019 (serial number following 1082) use this new brace bracket for better folding and finer adjustment

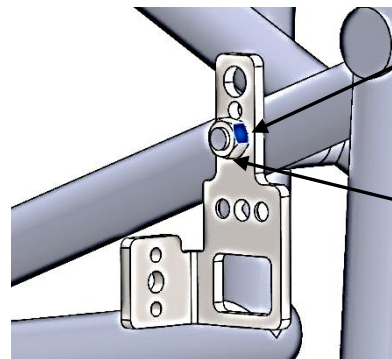
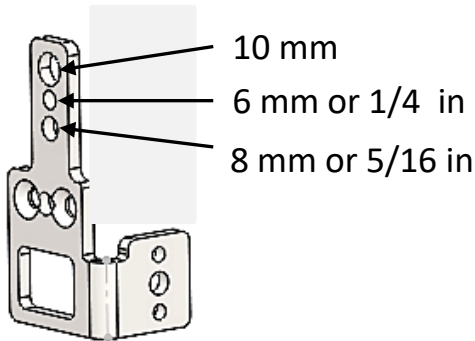
## Installation:

1. Remove the nut on the braces pivot bolt



Pivot bolt /Nut

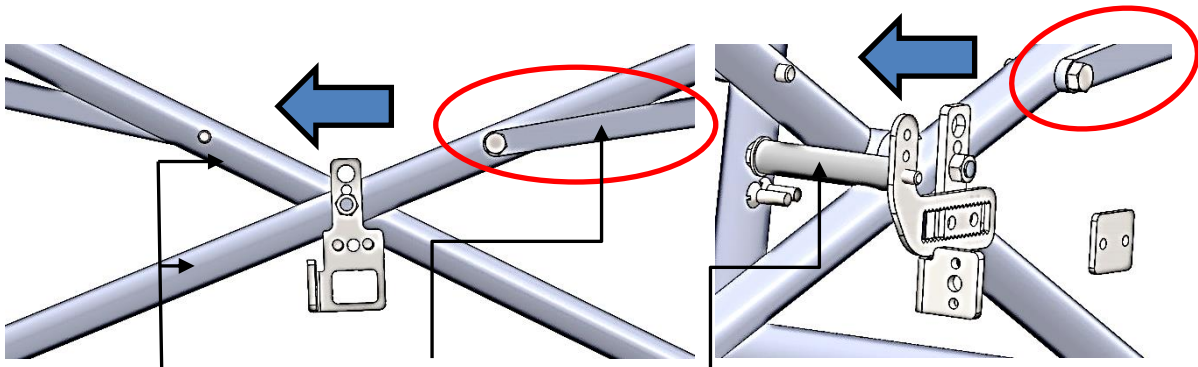
2. Insert the Attachment bracket using the corresponding hole and reinsert the Nut



Pivot attachment bracket

Screw nut back in place

3. When installing the stabilizer first locate the brace link
4. The stabilizer should be installed on the opposite side

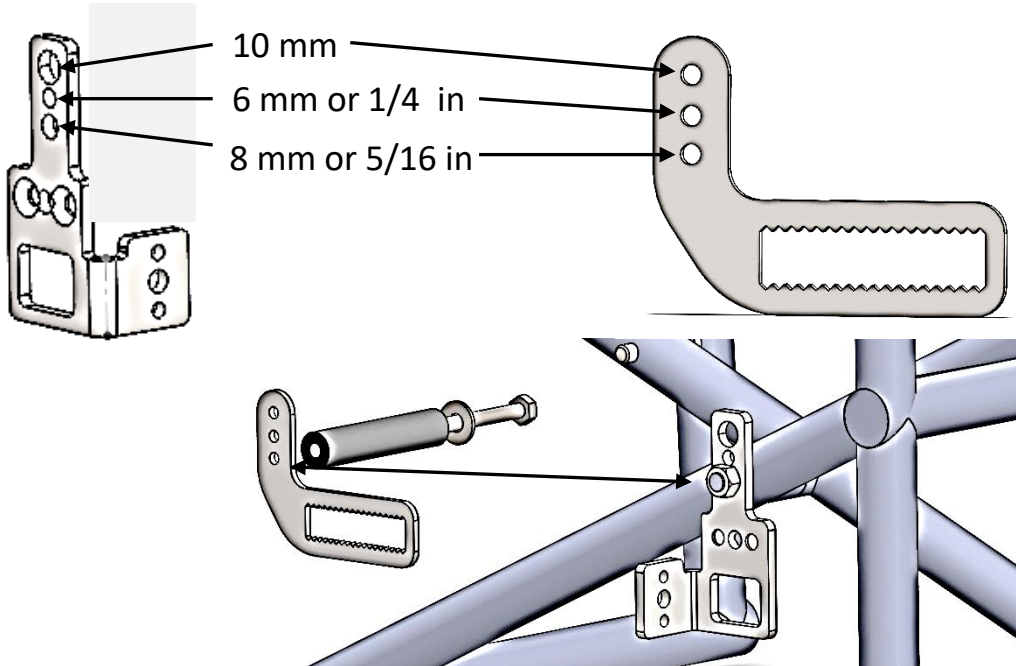


Brace link

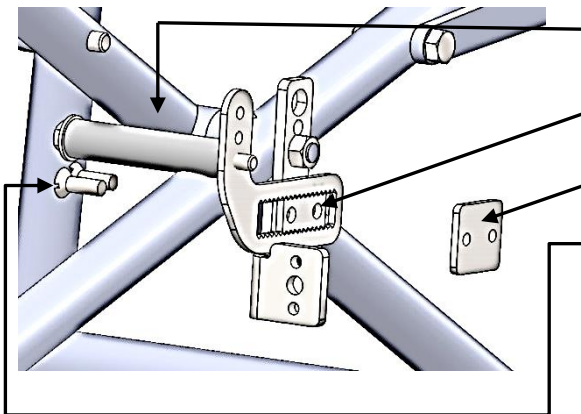
Stabilizer

Cross Members

## 5. Position the stabilizer according to the diameter of the pivot bolt



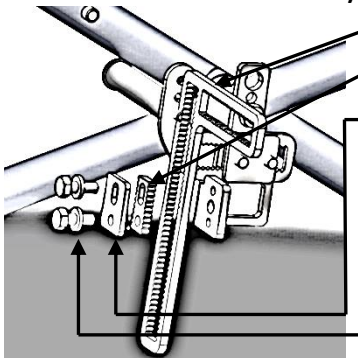
## 6. Install the stabilizer



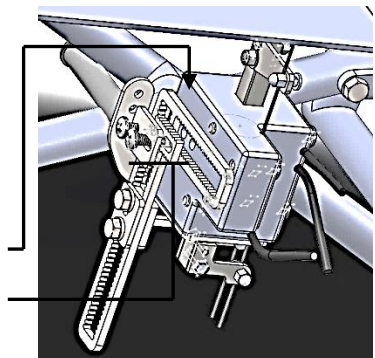
- With the chair in the fully opened position place the stabilizer so that it is in contact with the two cross members
- Insert the adjustment lock key
- Place the adjustment clamping plate
- Insert and tighten the 1/4-20 x 3/4 in flat head screws

**To adjust the position of the stabilizer simply unscrew the flat head screws approximately 3/16 in. Push the locking key to release the teeth and move the stabilizer. Then retighten the flat head screws**

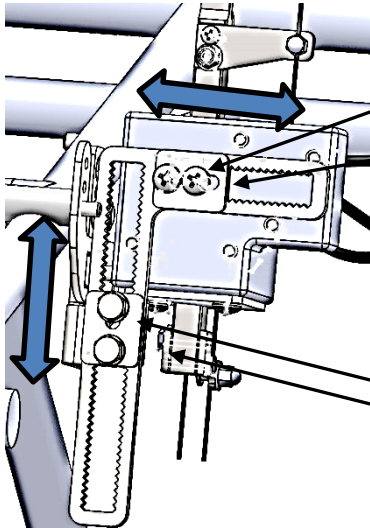
## 7. Install the detection system



- Place the L bracket
- Insert the adjustment lock key
- Put the clamping plate
- Insert and screw the bolts and lock washer
- Place the detection system
- Insert the adjustment lock key, then the clamping plate and the screws and tight them



# POSITION ADJUSTMENT



## HORIZONTAL ADJUSTMENT

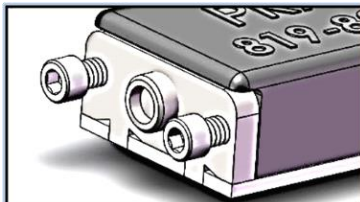
- Unscrew about 1/4 of in
- With a flat screw driver push the lock key toward the outside
- Slide the detection system to the right position
- Tighten the screws

## VERTICAL ADJUSTMENT

- Unscrew about 1/4 of in
- With a flat screw driver push the lock key toward the outside
- Slide the detection system to the right position
- Tighten the screws

## POSITIONING THE DETECTION SYSTEM POSITION (vertical)

- Ideally the vertical positioning is done with the cushion that will be used
- The positioning must be done in order to optimize the user's comfort and the operation of the locking pins, when properly adjusted, the user will hardly feel the presence of the detector under the seat
- On the L bracket, adjustment are set by 0,125 (1/8) inch steps. When looking at the blocking pine (o) adjust until you obtain the **CORRECT** position (when being seated on the wheelchair)

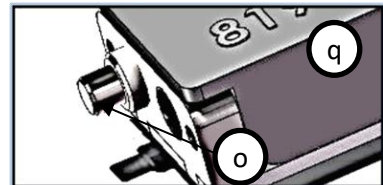


Push the detection system **DOWN**

- PINE GOES INSIDE THE BARREL
- UNCOMFORTABLE
- ADJUST AT LEAST 2 TEETH DOWN



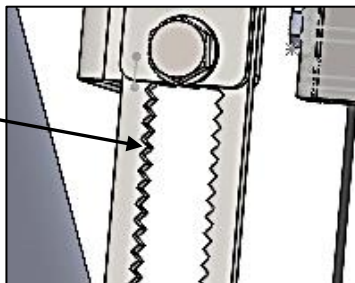
**CORRECT**



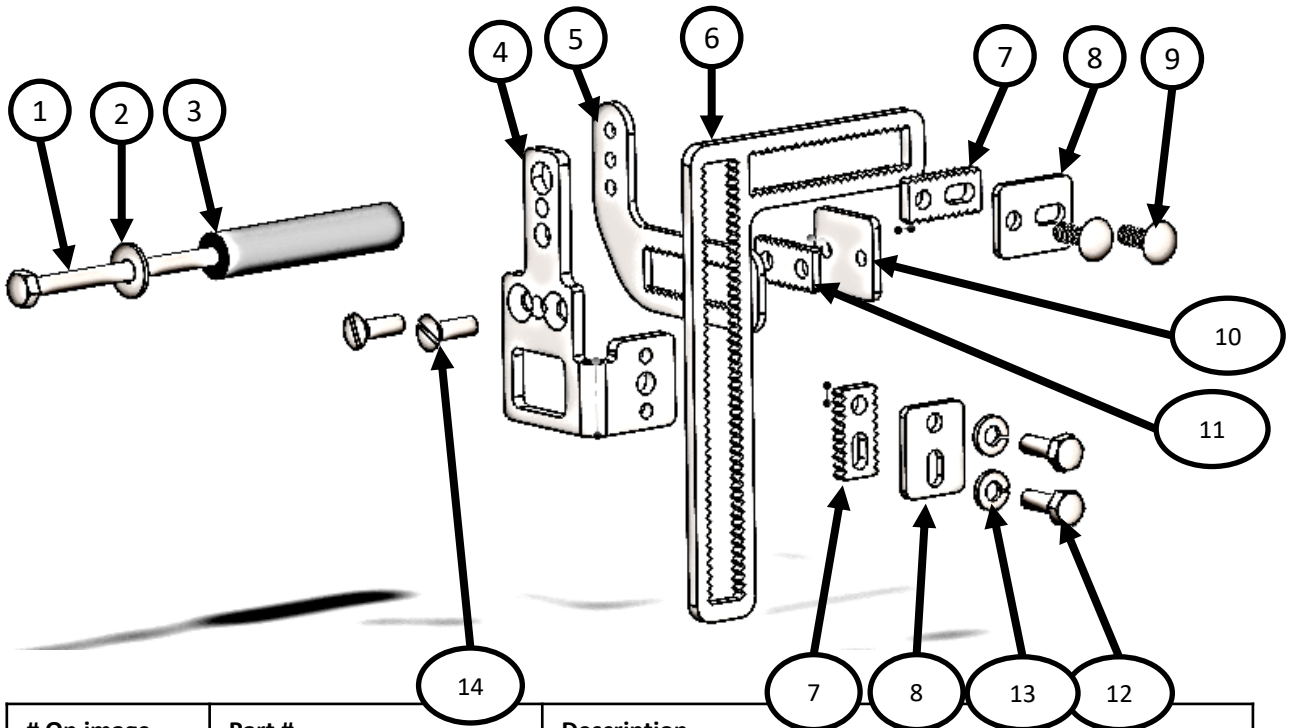
Push the detection system **UP**

- PINE EXTENDS TOO MUCH, BARELY RELEASING THE DISC
- ADJUST THE NUMBER OF TEETH REQUIRED TO OBTAIN THE CORRECT STATE

- Pine (o) extend 1/8 = 1 tooth up
- Pine (o) extend 1/4 = 2 tooth
- Pine (o) extend 3/8 = 3 tooth...



# BRACES MOUNTING BRACKET (SPARE PART LIST)

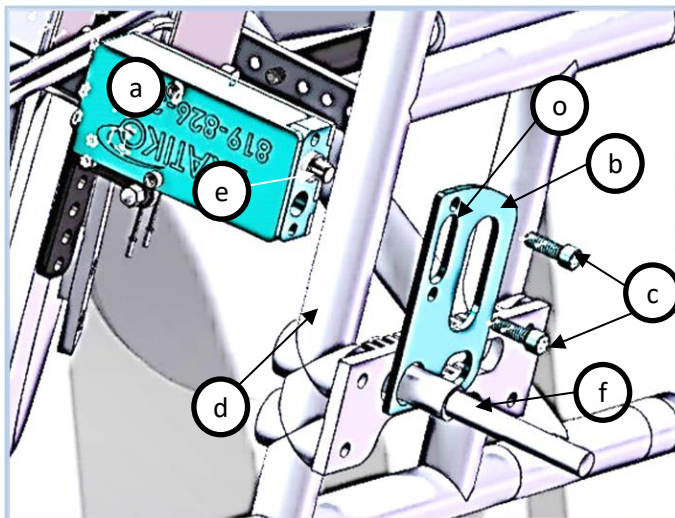


| # On image        | Part #               | Description  |
|-------------------|----------------------|--|
| 1                 | ZB-BH002X350-F20-ZN  | HEXAGONAL HEAD 1/4-20 X 3,5 INCH LONG                          |
| 2                 | ZB-W002ZN625         | 1/4 IN FLAT WASHER   |
| 3                 | PRA-CHR-TV           | RUBBER STABILIZER (PART NUMBER INCLUDE #1 AND #2)              |
| 4                 | SCAJF-PLZ-ZN-RD001   | CROSS BAR ATTACHMENT BRACKET                                   |
| 5                 | SCAJF-PLZ-ZN-RD002   | FINE ADJUSTMENT STABILIZER SUPPORT BRACKET                     |
| 6                 | SCAJF-PLZ-ZN-RD005   | FINE ADJUSTMENT L BRACKET                                      |
| 7                 | SCAJF-PLZ-ZN-RD006   | 3/16 LOCK KEY  |
| 8                 | SCAJF-PLZ-ZN-RD007   | CLAMPING PLATE WITHOUT THREAD                                  |
| 9                 | ZB-QX002X007Z        | ROUND HEAD QUADREX SCREW 1/4-20 X 3/4 IN LONG<br>MACHINE SCREW |
| 10                | SCAJF-PLZ-ZN-RD004   | CLAMPING PLATE WITH THREAD                                     |
| 11                | SCAJF-PLZ-ZN-RD003   | 1/8 LOCK KEY   |
| 12                | ZB-BH002X075-F20-ZN  | HEXAGONAL HEAD BOLT 1/4-20 X 3/4 IN LONG                       |
| 13                | ZB-WL002ZN           | 1/4 LOCK WASHER  |
| 14                | ZB-BFH002X075-F20-ZN | FLAT HEAD QUADREX SCREW 1/4-20 X 3/4 IN LONG SCREW             |
| COMPLETE ASSEMBLY | PRA-U-FINEXBRAK      | COMPLETE ASSEMBLY FOR UPGRADING SYSTEME BEFORE S/N 1082        |

# INSTALLATION / ADJUSTMENT OF THE BRAKING BOX

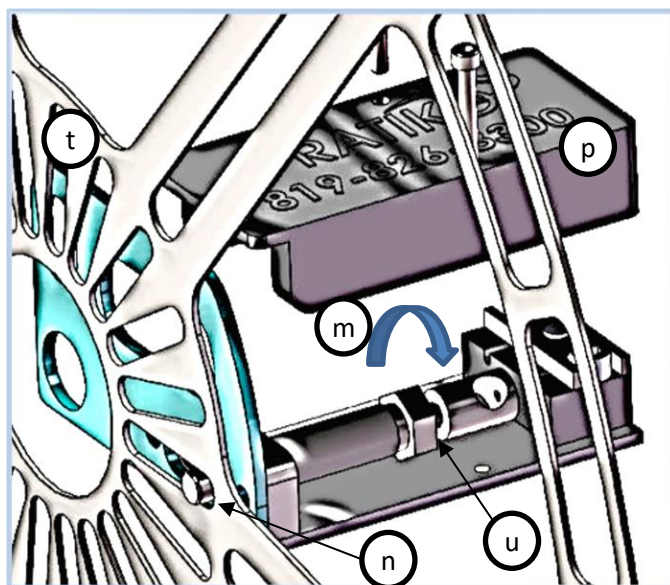
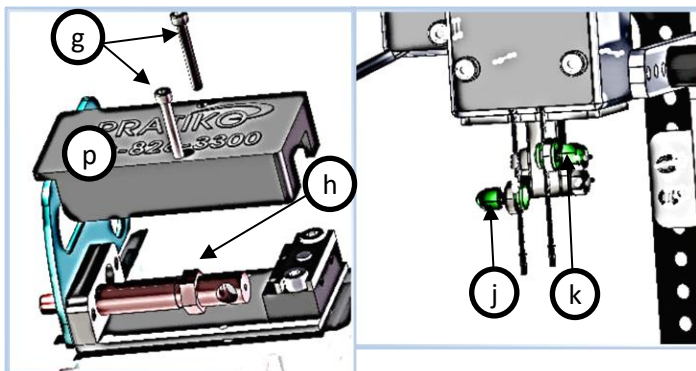
## Installing breaking boxes on attachment bracket

1. Put breaking box (a) so that the blocking pine (e) inserts in the oblong opening of the attachment bracket (o)
2. Use the 2 supplied screws (c) to secure breaking box (a) to the attachment bracket (b)
3. We recommend to install breaking box in a way to have easy screws (g) access
4. We recommend to position the breaking box(a) in a way that the blocking pine (e) is in the distant position from the axle (f)



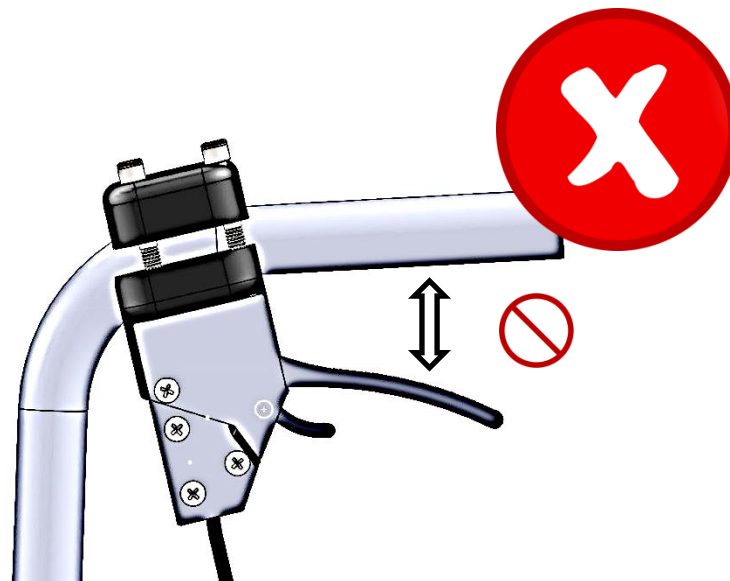
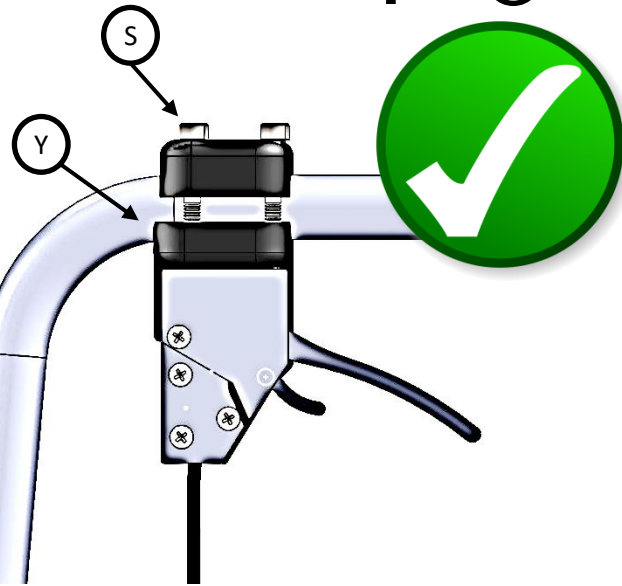
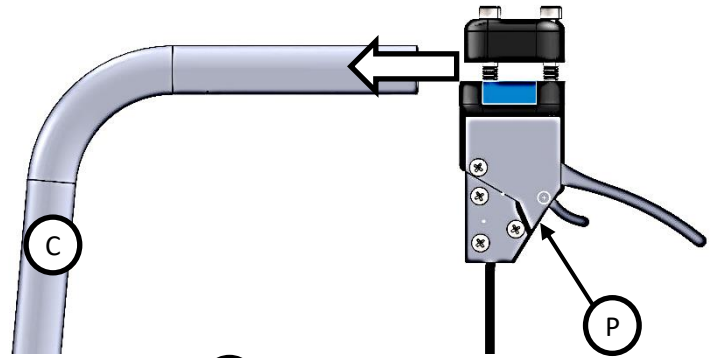
## Adjusting the blocking pine

1. Remove the cover retaining screws (g) and the plastic cover (p)
2. At the bottom of the detection system, loose up the cable attachment screws (j) and (k)
3. Turning (m) the hexagonal part (h) of the blocking pine(e), adjust the penetration depth of the blocking pine until it exceed the blocking disk (t) by 1/8 in (n)
4. Make sure that the blocking pine (e) is fully extend, there should be no gap at point (u)
5. Tighten cable retaining screws (j) and (k)
6. Put plastic cover(p) and screws (g) back in place



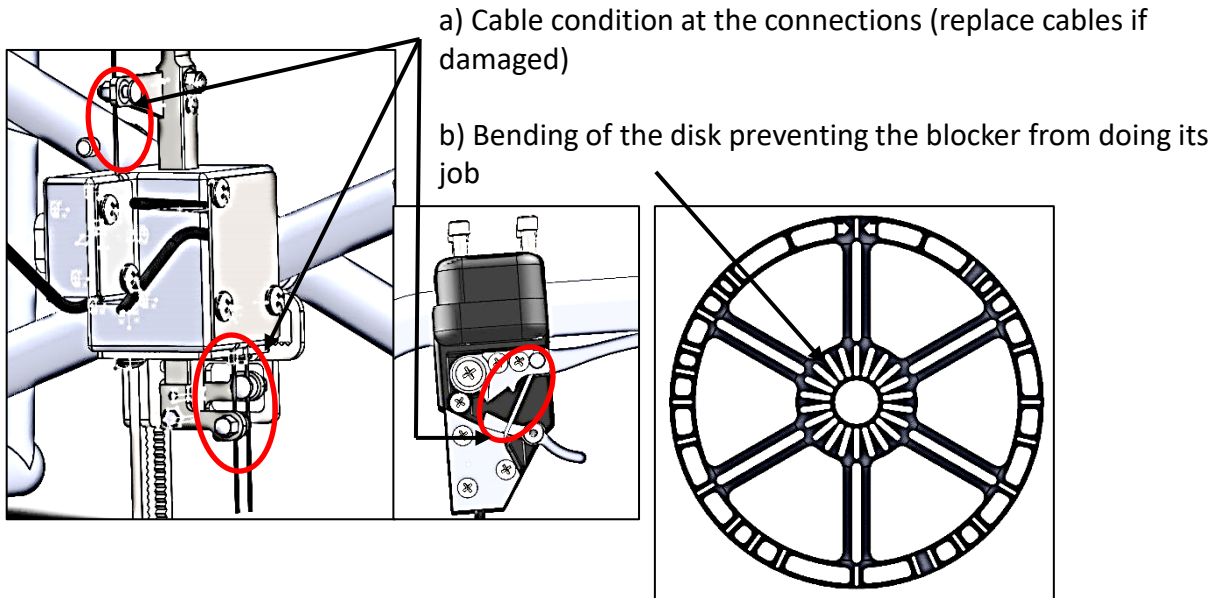
# RELEASE HANDLE INSTALLATION (PRA-CHR-POG)

1. Slide the Release handle (P) over one of the back cane (C) of the wheelchair.
2. Place the release handle (P) so it remain into the horizontal portion of the cane (C).
3. Tighten the 4 top screws (S) until the release handle (P) is stable and impossible to move.
4. Do not install the release handle (P) in the curved portion (Y) of the cane (C). Doing this will tilt the release handle toward back (as shown in the bottom illustration) and will reduce its travelling distance. This may cause insufficient pulling length to fully retract the blockers.



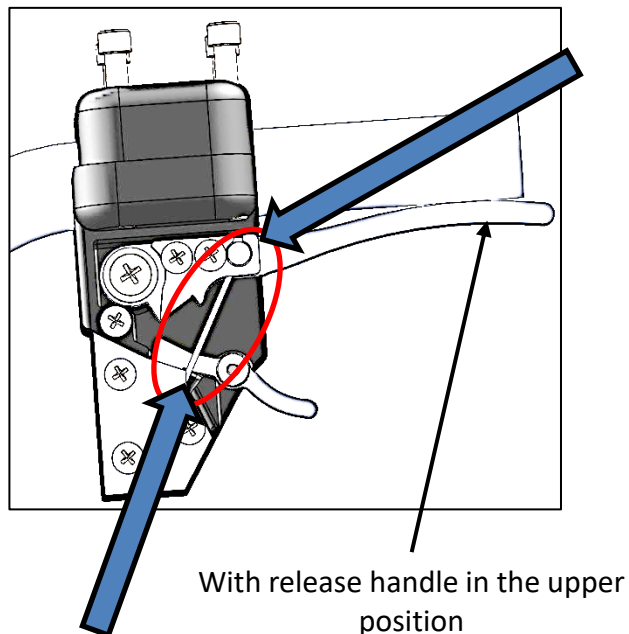
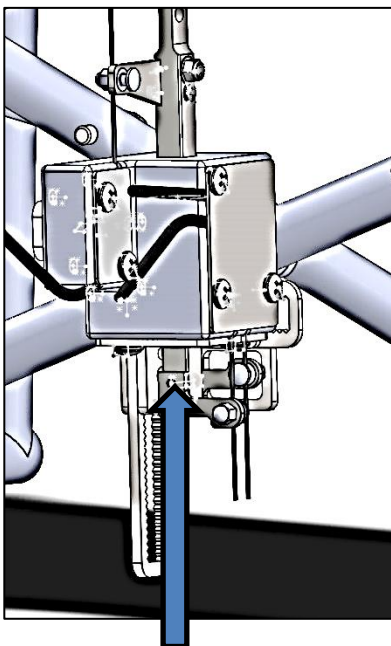
## RECOMMENDED MAINTENANCE SCHEDULE.

### 1. Periodically inspect condition of cables, discs and brackets (at least twice a year)



### 2. Lubricate moving parts to extend cable life (twice a year)

- Using White Lithium grease or similar grease
- On the bottom part of the detection system's piston
  - With the Release handle in the upper position
  - Lubricate the 4 faces of the Piston's rod
- On the release handle
  - With the Release handle in the upper position
  - Lubricate the Cable's ball connection (in between the plates)
  - Lubricate the Cable section under the ball connection





**PRATIKO AUTO BRAKE SELECTION FORM**

To ease the ordering process, please use one page per braking system you order

Select the configuration of the wheelchair to equip (put an "X" in the appropriate case)

Take note that the HCPCS CODES provided are our interpretation of the codes difinitions. The use of HCPCS does not ensure coverage or payment. For coverage information, verify the appropriate payer's coverage policy

**1. COMMON PART INCLUDED IN A KIT**

|                    |              |       |                  |
|--------------------|--------------|-------|------------------|
| DETECT SYST ASSBLY | PRA-U-CHBASE | K0108 | MSRP = 485 US \$ |
|--------------------|--------------|-------|------------------|

**2. Manufacturer and Model (KNOWN COMPATIBILITY)**

| X | Manufacturer        | Model              | installation kit #    | HCPC  | X | Manufacturer     | Model                 | installation kit # | HCPC  |
|---|---------------------|--------------------|-----------------------|-------|---|------------------|-----------------------|--------------------|-------|
|   | KI MOBILITY         | CATALYST 4C        | PRA-U-CAT4C           | K0108 |   | MOTION COMPOSITE | CHRONOS 1             | PRA-U-CHKIT*MOTION | K0108 |
|   | KI MOBILITY         | CATALYST 5T1       | PRA-U-CHKIT*PRIMA     | K0108 |   | MOTION COMPOSITE | CHRONOS 2             | PRA-U-CHKIT*MOTION | K0108 |
|   | KI MOBILITY         | CATALYST 5Vx       | PRA-U-CHKIT*PRIMA     | K0108 |   | MOTION COMPOSITE | COBALT 1              | PRA-U-CHKIT*MOTION | K0108 |
|   | KI MOBILITY         | CATALYST 5C        | PRA-U-CHKIT*PRIMA     | K0108 |   | MOTION COMPOSITE | COBALT 2              | PRA-U-CHKIT*MOTION | K0108 |
|   |                     |                    |                       |       |   | MOTION COMPOSITE | HÉLIO XX (ALL CONFIG) | PRA-U-CHKIT*MOTION | K0108 |
|   | EVEREST COPY        | FIXED AXLES        | PRA-U-CHKIT*FXAXL     | K0108 |   | MOTION COMPOSITE | MOVE                  | PRA-U-CHKIT*MOTION | K0108 |
|   | DRIVE               | FIXED AXLES        | PRA-U-CHKIT*FXAXL     | K0108 |   | MOTION COMPOSITE | PLATINE 1             | PRA-U-CHKIT*MOTION | K0108 |
|   | EVEREST ET JENNINGS | FIX AXLES (L3, L4) | PRA-U-CHKIT*FXAXL     | K0108 |   | MOTION COMPOSITE | PLATINE 2             | PRA-U-CHKIT*MOTION | K0108 |
|   | EVEREST ET JENNINGS | METRO              | PRA-U-CHKIT*PRIMA     | K0108 |   | ORTHO FAB        | CH                    | PRA-U-CHKIT*CH     | K0108 |
|   | EVEREST ET JENNINGS | P2+                | PRA-U-CHKIT*FXAXL     | K0108 |   | ORTHO FAB        | PRIMA                 | PRA-U-CHKIT*PRIMA  | K0108 |
|   | GORDEN              | ALL FIXED AXLES    | PRA-U-CHKIT*FXAXL     | K0108 |   | ORTHO FAB        | PRIMA 4               | PRA-U-CHKIT*PRIMA  | K0108 |
|   | GUARDIAN            | EASYCARE 2000      | PRA-U-CHKIT*FXAXL     | K0108 |   | PHYSISPRO        | XL5                   | PRA-U-CHKIT*PRIMA  | K0108 |
|   | GUARDIAN            | EASYCARE 4000      | PRA-U-CHKIT*FXAXL     | K0108 |   | PRIDE MOBILITY   | LITE STREAM           | PRA-U-CHKIT*PRIMA  | K0108 |
|   | INVACARE            | 9000 XT, SL, L     | PRA-U-CHKIT*FXAXL     | K0108 |   | PRIDE MOBILITY   | QUANTUM REHAB         | PRA-U-CHKIT*PRIMA  | K0108 |
|   | INVACARE            | ACTION             | PRA-U-CHKIT*ACTIONINV | K0108 |   | PRIDE MOBILITY   | STYLLUS               | PRA-U-CHKIT*FXAXL  | K0108 |
|   | INVACARE            | MVP                | PRA-U-CHKIT*PRIMA     | K0108 |   | SUNRISE/BREEZY   | BREEZE 600            | PRA-U-CHKIT*BREEZE | K0108 |
|   | INVACARE            | MYON               | PRA-U-CHKIT*PRIMA     | K0108 |   | SUNRISE/BREEZY   | QUICKIE I ET II       | PRA-U-CHKIT*PRIMA  | K0108 |
|   | INVACARE            | PATRIOT            | PRA-U-CHKIT*PATRIOT   | K0108 |   | SUNRISE/BREEZY   | QS                    | PRA-U-CHKIT*PRIMA  | K0108 |
|   | INVACARE            | X4                 | PRA-U-CHKIT*PRIMA     | K0108 |   | SUNRISE/BREEZY   | ULTRA 4               | PRA-U-CHKIT*ULT4   | K0108 |
|   | INVACARE            | TRACER SX5         | PRA-U-CHKIT*FXAXL     | K0108 |   | SUNRISE/BREEZY   | QX                    | PRA-U-CHKIT*PRIMA  | K0108 |
|   | MEYRA               | EUROCHAIR          | PRA-U-CHKIT*EURO      | K0108 |   |                  |                       |                    |       |
|   | MAPLE LEAF          | ACCESS             | PRA-U-CHKIT*FXAXL     | K0108 |   | SUNRISE/BREEZY   | LXI/LX                | PRA-U-CHKIT*PRIMA  | K0108 |
|   | MAPLE LEAF          | EZRIDE             | PRA-U-CHKIT*PRIMA     | K0108 |   |                  |                       |                    |       |
|   | MAPLE LEAF          | NRG+               | PRA-U-CHKIT*FXAXL     | K0108 |   |                  |                       |                    |       |
|   | MAPLE LEAF          | NRG+ RECLINER      | PRA-U-CHKIT*PRIMA     | K0108 |   |                  |                       |                    |       |
|   | MAPLE LEAF          | NRG+ GOLD          | PRA-U-CHKIT*PRIMA     | K0108 |   |                  |                       |                    |       |
|   | MAPLE LEAF          | SWIFT              | PRA-U-CHKIT*PRIMA     | K0108 |   |                  |                       |                    |       |

**NOTES:**

If you cannot find the manufacturer or the model of the wheelchair you wish to install please contact us at (819) 839-3303. Most of the wheelchair fall under one of listed kit we will be please to indicate the one to choose and to update our list

**2B. LIST OF INCOMPATIBLE WHEELCHAIRS Manufacturer and Model**

| Manufacturer   | Model        | DETAILS                             |
|----------------|--------------|-------------------------------------|
| SUNRISE/BREEZE | QXI (TYPE 3) | INCOMPATIBLE AT THE AXLE ATTACHMENT |
|                |              |                                     |
|                |              |                                     |

**3. Wheels size (usually the wheelsize is indicated on the side of the tire). Otherwise measure the height of the tire from the ground to the top.**

| X | Wheel Diameter (in) | HCPC  | blocking disk kit # |
|---|---------------------|-------|---------------------|
|   | 18                  | K0108 | PRA-U-CH018         |
|   | 20                  | K0108 | PRA-U-CH020         |
|   | 22                  | K0108 | PRA-U-CH022         |
|   | 24                  | K0108 | PRA-U-CH024         |
|   | 26                  | K0108 | PRA-U-CH026         |

**4. Hand rims attachment to the wheel (type)**

Hollow ties



X

Tab type



X

Need the installation bracket: PRA-U-KITLANG

HCPC K0108

**5. Identification**

Your Name:

Reference (NAME TAG / WORK ORDER #...)

how can we reach you

Phone:

email:

shipping adress:

Name

Address

City

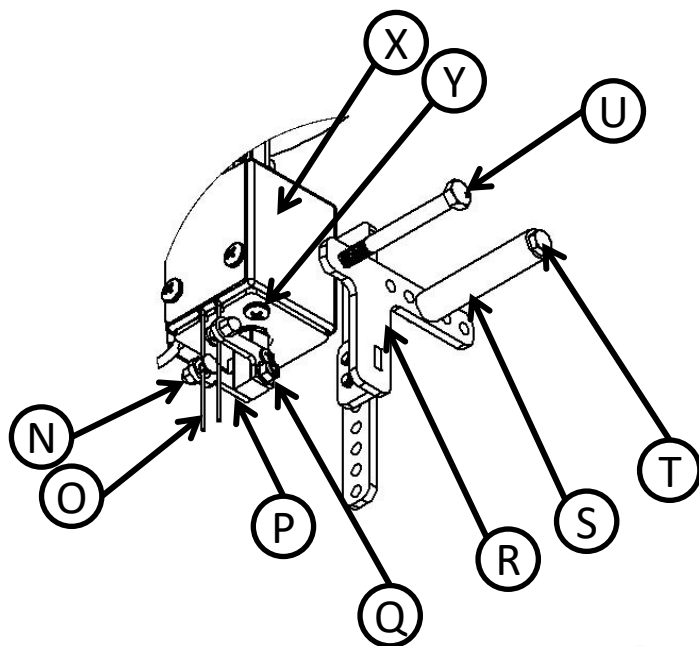
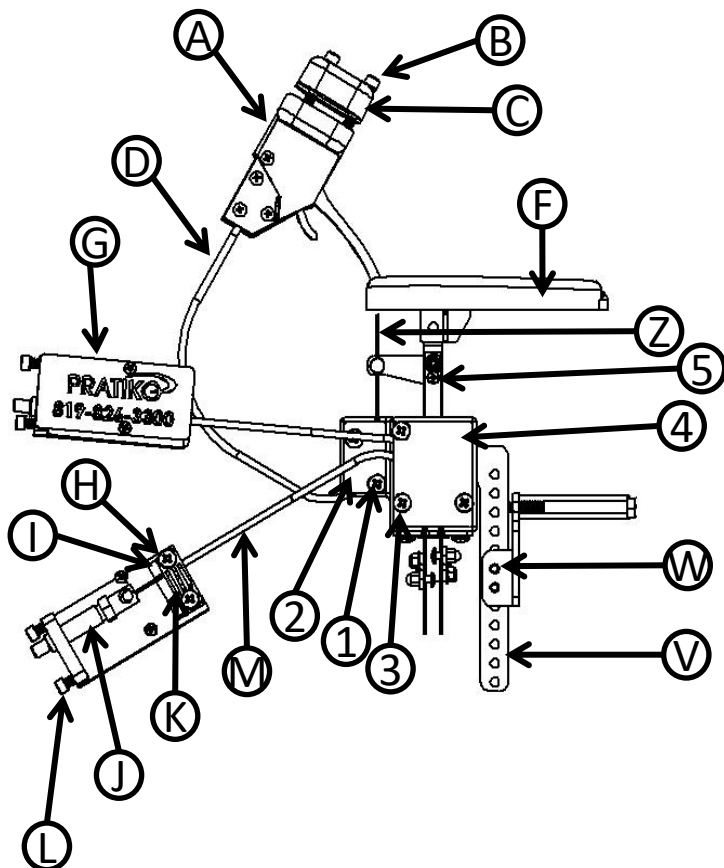
Province /state:

Country

Postal Code (ZIP)

# SPARE PARTS

| ID | PART #               | DESCRIPTION   |
|----|----------------------|---|
| A  | PRA-CHR-POG          | RELEASE HANDLE (COMPLETE)                             |
| B  | ZB-SHC002X020ZN      | SOCKET HEAD SCREW ¼-20 X 2,0 PO                       |
| C  | XFA-PG-ASS-A002      | RELEASE HANDLE TOP COVER                              |
| D  | PRA-CHR-KCG          | TEFLON SHEATH (KIT OF 3)                              |
| F  | PRA-CHR-ASS          | DELTA SEAT  |
| G  | PRA-CHR-COU          | BLOCKING BOX PLASTIC COVER                            |
| G' | PRA-CHR-BOITCOMP     | COMPLETE BLOCKING BOX (BLOCKER, COVER, CABLE, SHEATH) |
| H  | ZB-QX002X007ZN       | SCREW ¼-20 X ¾ PO                                     |
| I  | XFA-BB-URE-PL-P003   | SHEATH RETAINING PLASTIC BLOCK                        |
| J  | PRA-CHR-POINT        | BLOCKING PINE / BLOCKER                               |
| K  | XFA-BB-PLZ-SS-P004   | SHEATHS RETAINING PLATE                               |
| L  | ZB-SHC002X005SS      | SOCKET HEAD SS SCREW ¼-20 X ½ PO                      |
| M  | PRA-CHR-KCG          | DETECTION TO BLOCKING SHEATHS (KIT OF 3)              |
| N  | ZB-CH506221          | CABLE ATTACHMENT SCREW (PACK OF 12x)                  |
| O  | PRA-CHR-KCA          | MULTISTRAND STAINLESS CABLE (3x)                      |
| P  | XFA-SC-PLZ-SS-P010   | PISTON TO BLOCKERS LINKING PLATE                      |
| Q  | ZB-MS-QD-ZN-0008X010 | SCREW 8-32 X 1 PO                                     |
| R  | XFA-SC-ASS-AN-A001   | "T" BRACES ATTACHMENT BRACKET                         |
| S  | PRA-CHR-TV           | STABILIZATOR (SCREW, RUBBER TUBE AND WASHER)          |
| T  | PRA-CHR-TV           | STABILISATOR SCREW                                    |
| U  | PRA-CHR-VCR          | SIMPLE BRACES REPLACEMENT BOLT                        |
| U2 | PRA-CHR-VCZ          | DOUBLE BRACES REPLACEMENT BOLT                        |
| V  | XFA-SC-PLZ-AN-P005   | "L" BRACKET FOR DETECT SYST. POSITIONNING             |
| W  | ZB-QX002X007ZN       | SCREW ¼-20 X 0,75 PO                                  |
| X  | XFA-SC-URE-PL-P001   | DETECTION SYSTEM MAIN BODY                            |
| Y  | ZB-QX002X007ZN       | SCREW ¼-20 X ¾ PO                                     |
| Z  | PRA-CHR-KCA          | MULTISTRAND SS CABLE ( KIT OF 3x)                     |
| 1  | ZB-MS-QD-ZN-002X010  | SCREW ¼-20 X 1PO                                      |
| 2  | XFA-SC-PLZ-SS-P012   | HANDLE SHEATH IMMO. PLATE                             |
| 3  | ZB-QX002X025Z        | SCREW ¼-20 X 2,5 PO                                   |
| 4  | XFA-SC-PLZ-SS-P013   | BLOCKERS SHEATH IMMO PLATE                            |
| 5  | XFA-SC-PLZ-SS-P009   | HANDLE LINKING PLATE                                  |



# CONTACT US

## HOW ARE WE DOING ?

Even the most performing products can be improved. Here at PratiKo and PratiKoMedical your comments and suggestions are fueling our developments, are inspiring our innovation and improvements. If you wish to tell us about how our products could be improved or if you wish to communicate us about some products that are missing and that would be helpful in your professional practice please do not hesitate to contact us over the phone or simply by writing us.

In addition, we are always grateful when you can provide us with some statistics on how the product is performing this is helping us in the development we do to help you. For example, if you can give us some information about the fall occurrences before and after the installation of the PratiKo Auto-Brake we would really appreciate.

Note that you do not need to give any name and that any information are kept confidential, we will not published any name or information that permit the identification of a given person. The datas will be compiled to measure the efficiency of the PratiKo auto-brake. The compiled number will then be used on our website to give a fall reduction efficiency number that will help other professional to justify and benefit of the product and this for the benefit and safety of the users. Thank you for helping us.

## NEED ASSISTANCE ?

Whenever you need assistance during installation, adjustment , selection, spare parts or troubleshooting. Please do not hesitate to contact us. One of our technician will help you.

# 1-855-905-3300 (toll free)



20 Saffin Road  
DANVILLE, Qc. CANADA, J0A 1A0  
1-819-839-3303  
1-855-905-3300 (toll free)  
1-819-674-7163 (technical assistance)  
[jimlandry@pratikopratik.com](mailto:jimlandry@pratikopratik.com)  
(technical support and development)

[www.pratikopratik.com](http://www.pratikopratik.com)



PratiKoMedical

1713 Industrial Parkway  
Lyndonville, Vermont, USA, 05851  
1-802-748-0099  
[jim@pratikomedical.com](mailto:jim@pratikomedical.com)  
(technical service and product development)

[www.pratikomedical.com](http://www.pratikomedical.com)